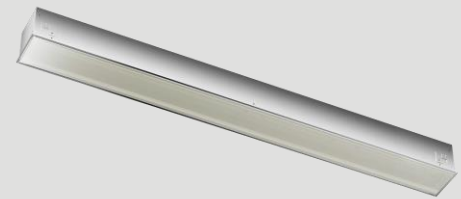


<b>Part #</b>	<b>Prepared By</b>
<b>Project</b>	<b>Notes</b>
<b>Type</b>	
<b>Date</b>	



# SIPR vHealth® Surgical Narrow

Recessed Luminaire 1200 - 5400 Lumens



## Description

vHealth® SIPR luminaires are made with die formed, welded cold rolled, 22 gauge steel available in 24" and 48" nominal lengths. Luminaire body finish is high reflectance baked white enamel antimicrobial. Wiring knockouts are provided on the back and ends of housing. Extruded frosted acrylic diffuser snaps into place; no tools are required for removal. This specification grade fixture provides smooth and uniform ambient lighting for surgical rooms in hospitals with recessed rigid ceilings. Housing features continuous extruded PVC foam gasket to provide IP65 protection from beneath the ceiling plane.

## Warranty & Notes

### ELECTRICAL SYSTEM

- 1274 - 5408 lumens
- 2700K - 5000K CCT (White tuning LED available)
- 80 CRI (+90 CRI optional)
- Standard 0-10V dimming driver, optional drivers available
- 120V-277V Input Volts
- Minimum 50,000 hour lifetime at L70

### OPTICS & OPTIONS

- Frosted acrylic diffuser spreads light to allow for a smooth even glow
- Easy to clean

### FRAME & MOUNTING

- 22 gauge cold rolled steel housing for recessed mount rigid ceiling from ¼" to 1-1/8" thick
- Multiple 7/8" knockouts and standard access cover allow for easy wiring and installation
- Suitable for dry and damp locations

## Warranty & Notes

- 5-year limited warranty on LED module and driver

## Ordering Information

EXAMPLE: SIPR-44R2-Y1 2W-DMV-40K

Series	Size	Wattage	Driver	Kelvin (CCT)	Finish	Options*
SIPR	25L - 5.125"W X 25"L	Y12W - 1352 Lumens Y24W - 2704 Lumens	DMV 0-10V Dimming D1MV 0-10V Dimming Dim to 1% G120 ELV/Triac Dimming at 120V only	80CRI 30K - 3000K 35K - 3500K 40K - 4000K 50K - 5000K  90CRI 930K - 3000K 935K - 3500K 940K - 4000K	BLANK - Antimicrobial Paint White Finish AMBK - Antimicrobial Paint Black Finish AMxx - Antimicrobial Paint Custom Finish	WP5W WP6W EM14 EM12 EM20
	49L - 5.125"W X 49"L	Y24W - 2704 Lumens Y48W - 5408 Lumens				

### \*Options Notes

- WP5W - 6ft. 5 wire 18 gauge whip
- WP6W - 6ft. 6 wire 18 gauge whip (dimming EM)
- EM14 - 14W Emergency battery backup
- EM12 - 12W Emergency battery backup (remote only)
- EM20 - 20W Emergency battery backup (remote only)

Vantage reserves the right to change components, finishes or design details in any manner which does not alter the installed appearance or reduce performance and intended function.

vHealth® is a registered trademark of Lexington Lighting Group, LLC dba Vantage Lighting

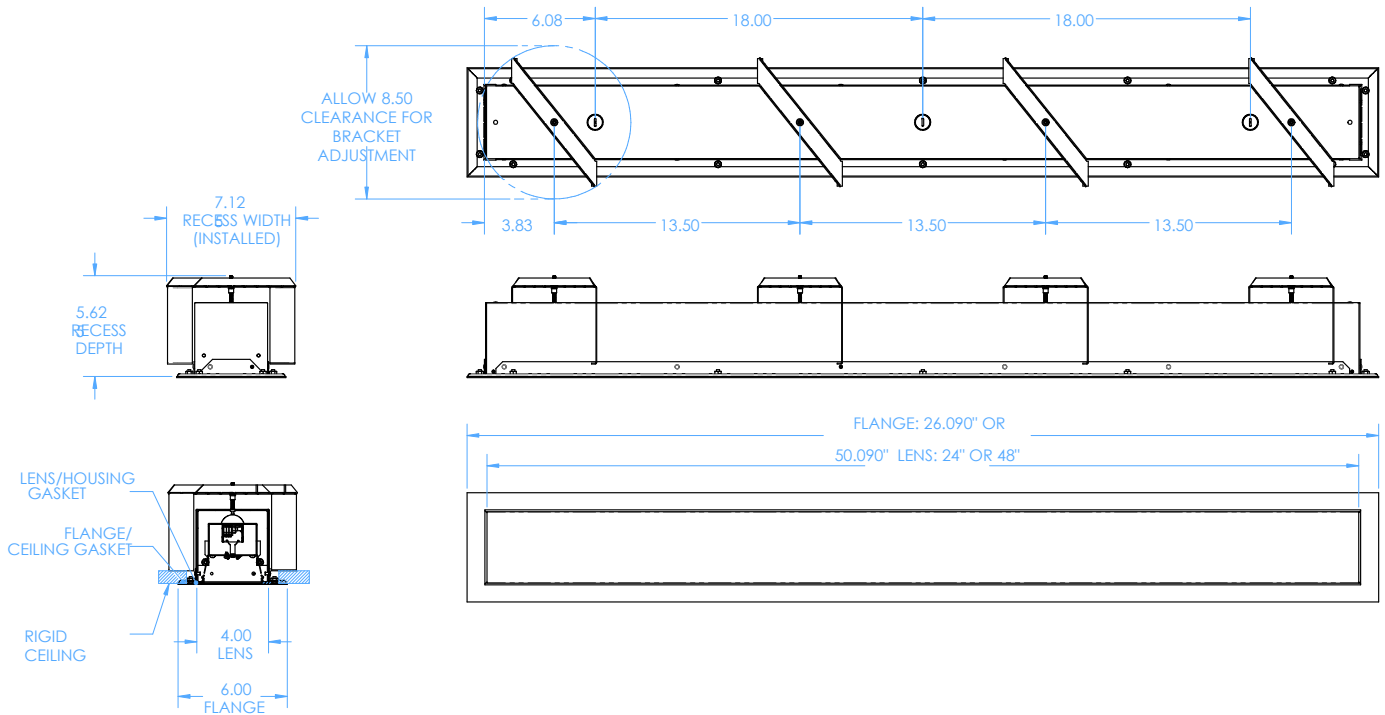
# SIPR vHealth® Surgical Narrow

Recessed Luminaire 1200 - 5400 Lumens

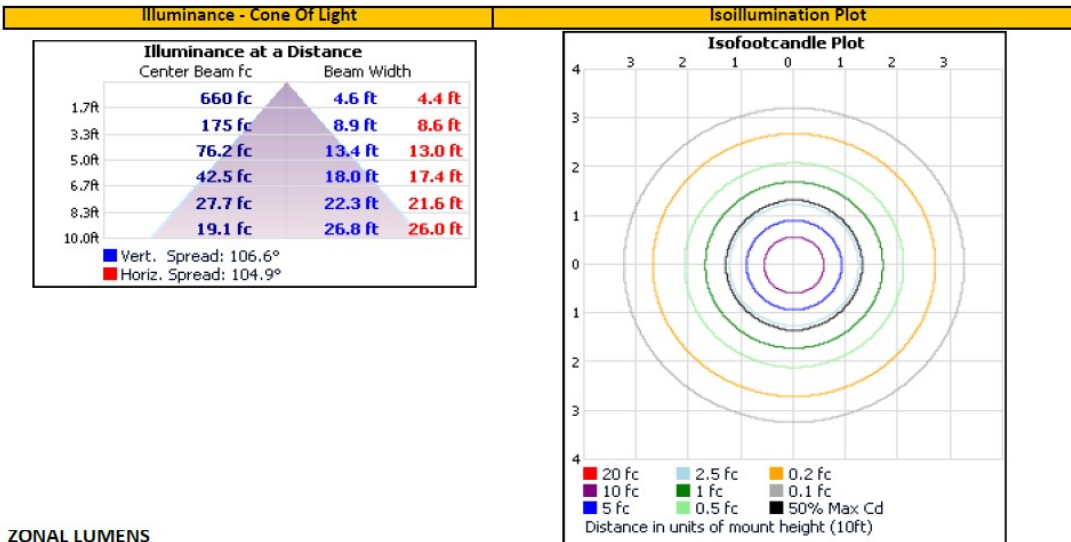
vHealth®  
LIGHTING

## Dimensional Data

CEILING CUTOUT		
FIXTURE SIZE	LENGTH	WIDTH
NOM. 2FT	25"	5-1/8"
NOM. 4FT	49"	5-1/8"



## ILLUMINATION SUMMARY



## ZONAL LUMENS

Zonal Lumen Summary					
Zone (°)	Lumens	Luminaire	Zone (°)	Lumens	Total
0-30	1,444.0	28.3%	90-100	0.0	0.0%
0-40	2,332.4	45.8%	100-110	0.0	0.0%
0-60	4,031.5	79.1%	110-120	0.0	0.0%
60-90	1,063.8	20.9%	120-130	0.0	0.0%
70-100	461.9	9.1%	130-140	0.0	0.0%
90-120	0.0	0.0%	140-150	0.0	0.0%
0-90	5,095.3	100.0%	150-160	0.0	0.0%
90-180	0.0	0.0%	160-170	0.0	0.0%
0-180	5,095.3	100.0%	170-180	0.0	0.0%

Vantage reserves the right to change components, finishes or design details in any manner which does not alter the installed appearance or reduce performance and intended function.

vHealth® is a registered trademark of Lexington Lighting Group, LLC dba Vantage Lighting

# SIPR vHealth® Surgical Narrow

Recessed Luminaire 1200 - 5400 Lumens

## Performance Data Table

<i>model</i>	<i>lumens</i>	<i>lm/W</i>	<i>watts</i>
SIPR-24L-Y12W-30K	1274	95.4	13.4
SIPR-24L-Y12W-35K	1310	98.1	13.4
SIPR-24L-Y12W-40K	1352	101.3	13.4
SIPR-24L-Y12W-50K	1352	101.3	13.4
SIPR-24L-Y24W-30K	2548	95.4	26.7
SIPR-24L-Y24W-35K	2620	98.1	26.7
SIPR-24L-Y24W-40K	2704	101.3	26.7
SIPR-24L-Y24W-50K	2704	101.3	26.7
SIPR-48L-Y24W-30K	2548	102.4	24.9
SIPR-48L-Y24W-35K	2620	105.3	24.9
SIPR-48L-Y24W-40K	2704	108.7	24.9
SIPR-48L-Y24W-50K	2704	108.7	24.9
SIPR-48L-Y48W-30K	5095	102.4	48.8
SIPR-48L-Y48W-35K	5240	105.3	48.8
SIPR-48L-Y48W-40K	5408	108.7	49.8
SIPR-48L-Y48W-50K	5408	108.7	49.8

Vantage reserves the right to change components, finishes or design details in any manner which does not alter the installed appearance or reduce performance and intended function.

vHealth® is a registered trademark of Lexington Lighting Group, LLC dba Vantage Lighting