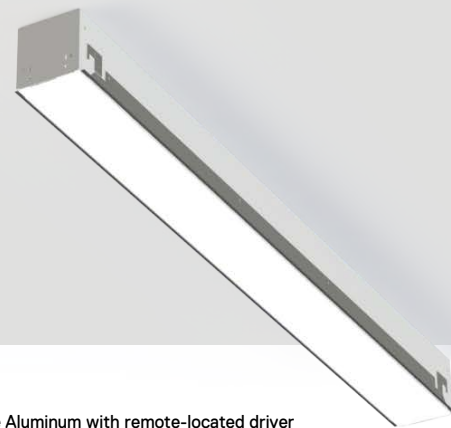


Part #	Prepared By
Project	Notes
Type	
Date	



# VNA vHealth® Recessed Linear

LED MRI Room Linear Recessed Grid Luminaire 1400-11500 Lumens



## Description

A linear fixture for distinctive architectural lighting plans. Ideal for MRI rooms, patient rooms, and medical applications, fixtures can be installed individually or in a continuous run. Specially designed for direct light only with snap in lens to hide the LED arrays. Ideal for corridors, lobbies, and office areas, etc. Die-formed and welded 22-gauge cold rolled steel. Knockouts on ends allow continuous wireway mounting. Housing is specially designed for smooth and uniform ambient lighting for all commercial and industrial buildings with recessed configurations.

## Warranty & Notes

### ELECTRICAL SYSTEM

- 1400 - 11500 lumens
- 2700K - 5000K CCT (White tuning LED available)
- 80 CRI (+90 CRI optional)
- Standard 0-10V dimming driver; optional drivers available
- 120V-277V Input Volts
- Minimum 50,000 hour lifetime at L70

### OPTICS & OPTIONS

- Fixture accepts various lenses or louvers. 4' and 8' units have a steel mullion to join two individual diffusers.
- Easy to clean

## FRAME & MOUNTING

- Housing is die-formed 20 gauge Aluminum with remote-located driver
- Maximum suggested remote mounting distance is 15 feet from the luminaire
- Sized for standard 1" T-bar grid mounting
- Luminaire body finish is high reflectance baked white enamel with matte white reflectors.
- Including 15' of non-ferrous conduit
- Multiple 7/8" knockouts and standard access cover allow for easy wiring and installation

## Listings

- ETL certified to UL 1598
- Tested according to LM-79 and LM-80 standards
- Suitable for dry and damp locations
- Buy American Act (BAA)

## Warranty & Notes

- 5-year limited warranty on LED module and driver
- Insulation cannot be in direct contact with luminaire

## Ordering Information

EXAMPLE: VNA-AF-48L-K48W-D1MV-AMBK-930K-EM14

VNA								
-----	--	--	--	--	--	--	--	--

Series	Lens	Size	Wattage	Driver	Finish	Kelvin (CCT)	Configuration	Options*	
VNA	SF - Snap-in frosted acrylic lens (85% transmission)	24L - 24"L	K12W - 1400 Lumens K24W - 2900 Lumens	DMV - 120-277VAC 0-10V Dimming D1MV - 120-277VAC 0-10V Dimming Dim to 1%	BLANK - Antimicrobial White AMBK - Antimicrobial Black AMxx - Antimicrobial Custom Color Finish	80CRI 30K - 3000K 35K - 3500K 40K - 4000K 50K - 5000K	Blank - Individual -B - Beginner -J - Joiner -E - Ender	EM12 EM14 EM20 VEM12 VEM14	
		48L - 48"L	K24W - 2900 Lumens K48W - 5800 Lumens						
	AF - Asymmetric snap-in frosted acrylic lens (85% transmission)	72L - 72"L	K36W - 4300 Lumens K72W - 8600 Lumens	G120 - ELV/TRIAC Dimming at 120V only					90CRI 930K - 3000K 935K - 3500K 940K - 4000K
		96L - 96"L	K48W - 5800 Lumens K96W - 11500 Lumens						

### \*Options Notes

- EM12 - 12W Emergency battery back-up (remote only).
- EM14 - 14W Emergency battery back-up (remote only).
- EM20 - 20W Emergency battery back-up (remote only).
- VEM12 - 2 Port EMI filter
- VEM14 - 4 Port EMI filter

### Notes

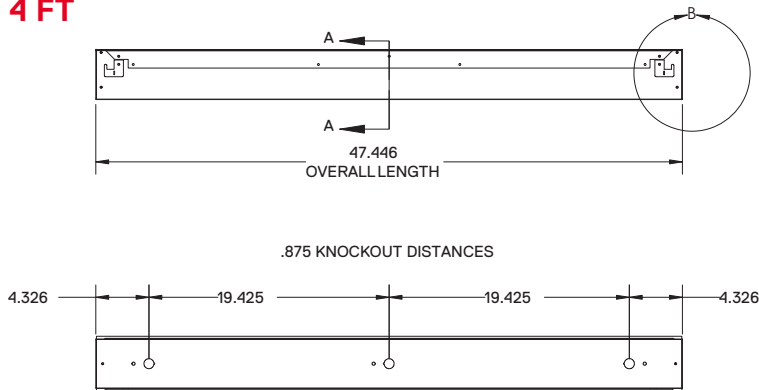
- 1 - Suggested Maximum remote mounting distance is 15FT.

# VNA vHealth<sup>®</sup> Recessed Linear

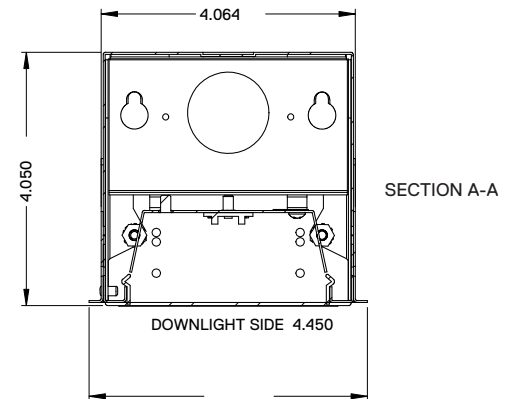
LED MRI Room Linear Recessed Luminaire 1400-11500 Lumens

## Dimensional Data

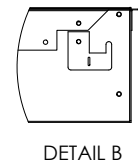
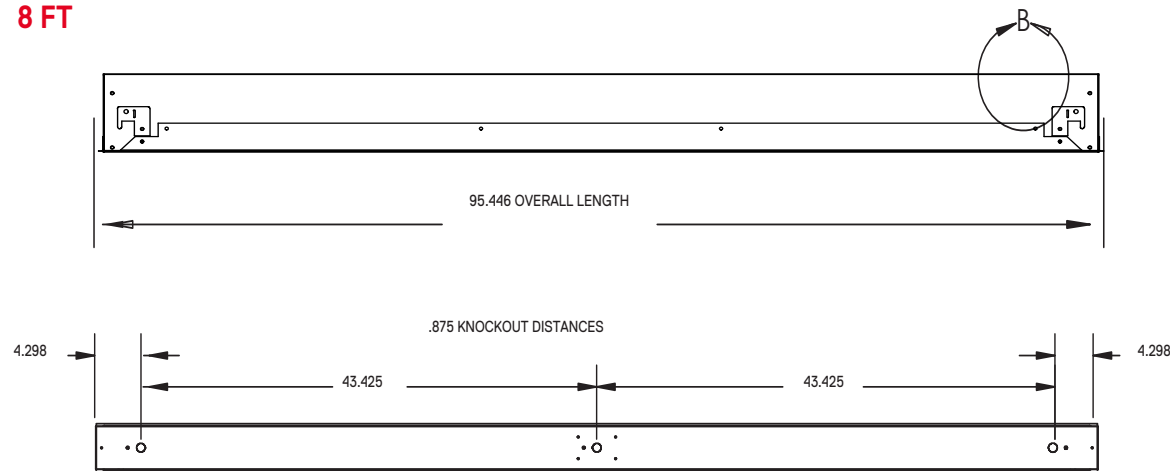
### 4 FT



### End Side View

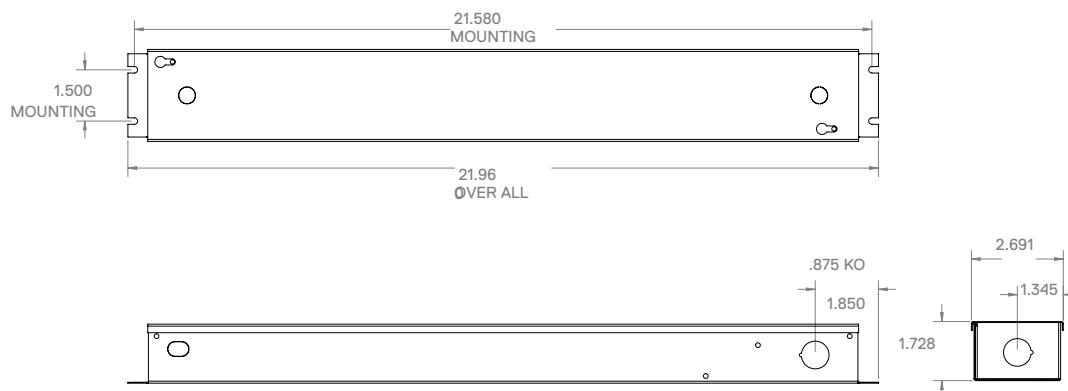


### 8 FT



## Remote Driver Box -

Suggested maximum remote mounting distance is 15 feet.



Vantage reserves the right to change components, finishes or design details in any manner which does not alter the installed appearance or reduce performance and intended function.  
vHealth<sup>®</sup> is a registered trademark of Lexington Lighting Group, LLC dba Vantage Lighting

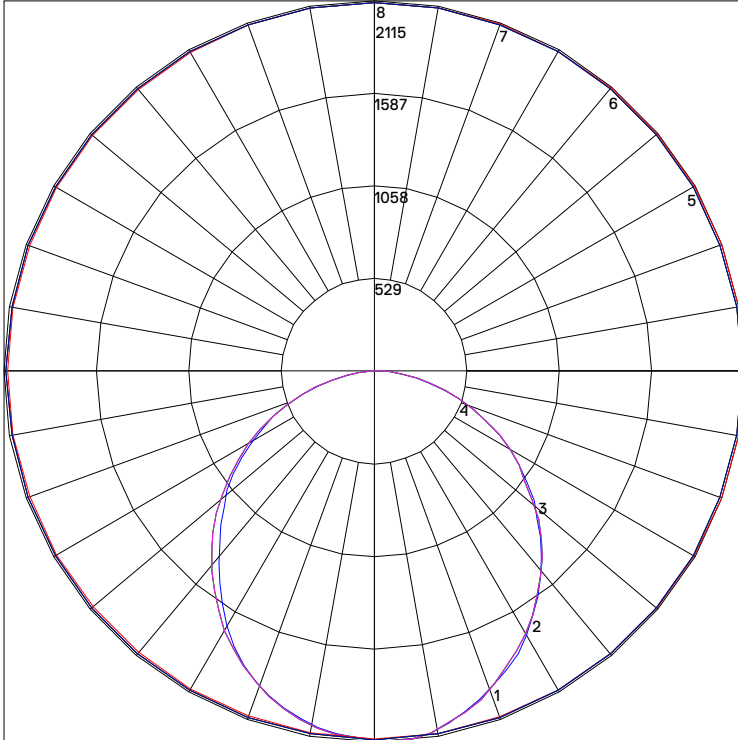
## LED MRI Room Linear Recessed Luminaire 1400-11500 Lumens

### Photometrics

#### IES INDOOR REPORT

PHOTOMETRIC FILENAME : VNASF48LK48WDMV40K.IES

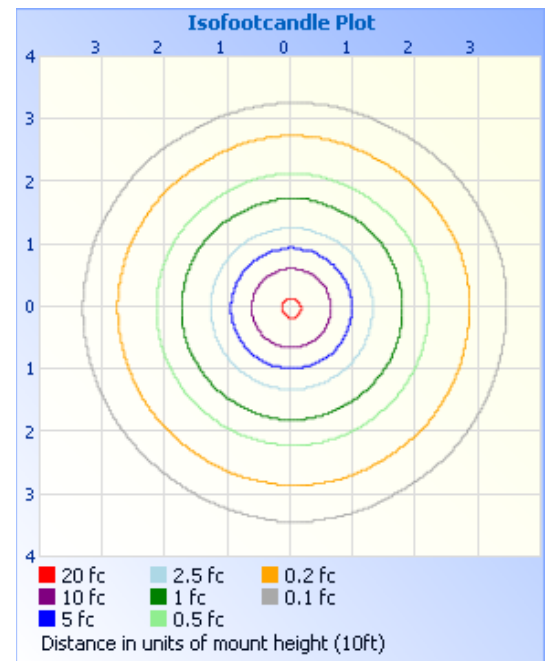
#### POLAR GRAPH



Maximum Candela = 2115.47 Located At Horizontal Angle = 10, Vertical Angle = 3 # 1 - Vertical Plane Through Horizontal Angles (10 - 190) (Through Max. Cd.)  
 # 2 - Vertical Plane Through Horizontal Angles (0 - 180)  
 # 3 - Vertical Plane Through Horizontal Angles (0 - 180)  
 # 4 - Vertical Plane Through Horizontal Angles (0 - 180)  
 # 5 - Horizontal Cone Through Vertical Angle (3) (Through Max. Cd.)  
 # 6 - Horizontal Cone Through Vertical Angle (0)  
 # 7 - Horizontal Cone Through Vertical Angle (0)  
 # 8 - Horizontal Cone Through Vertical Angle (0)

	Center Beam fc	Beam Width	
1.7ft	728 fc	4.6 ft	4.6 ft
3.3ft	193 fc	9.0 ft	8.8 ft
5.0ft	84.2 fc	13.6 ft	13.4 ft
6.7ft	46.9 fc	18.2 ft	17.9 ft
8.3ft	30.5 fc	22.5 ft	22.2 ft
10.0ft	21.0 fc	27.2 ft	26.8 ft

■ Vert. Spread: 107.3°  
■ Horiz. Spread: 106.5°



#### Coefficients Of Utilization - Zonal Cavity Method

Effective Floor Cavity Reflectance: 20%

RCC %:	80		70				50			30			10			0		
RW %:	70	50	30	0	70	50	30	0	50	30	20	50	30	20	50	30	20	0
RCR: 0	1.19	1.19	1.19	1.19	1.16	1.16	1.16	1.00	1.11	1.11	1.11	1.06	1.06	1.06	1.02	1.02	1.02	1.00
1	1.08	1.04	.99	.95	1.06	1.01	.97	.84	.97	.94	.91	.93	.90	.88	.89	.87	.85	.83
2	.99	.90	.83	.78	.96	.88	.82	.71	.85	.79	.75	.81	.77	.73	.78	.75	.71	.69
3	.90	.79	.71	.65	.87	.78	.70	.60	.75	.68	.63	.72	.66	.62	.69	.65	.60	.58
4	.82	.70	.61	.55	.80	.69	.61	.52	.66	.59	.54	.64	.58	.53	.62	.56	.52	.50
5	.76	.63	.54	.47	.74	.62	.53	.45	.60	.52	.46	.58	.51	.46	.56	.50	.45	.43
6	.70	.57	.48	.41	.68	.56	.47	.40	.54	.46	.41	.52	.45	.40	.50	.45	.40	.38
7	.65	.51	.43	.36	.63	.51	.42	.35	.49	.41	.36	.48	.41	.36	.46	.40	.35	.33
8	.60	.47	.38	.33	.59	.46	.38	.32	.45	.37	.32	.44	.37	.32	.42	.36	.32	.30
9	.57	.43	.35	.29	.55	.43	.35	.29	.41	.34	.29	.40	.34	.29	.39	.33	.29	.27
10	.53	.40	.32	.27	.52	.39	.32	.26	.38	.31	.26	.37	.31	.26	.36	.30	.26	.24

#### Zonal Lumen Summary

Zone	Lumens	% Luminaire
0-30	1,600.9	27.9%
0-40	2,590.7	45.1%
0-60	4,494.4	78.3%
60-90	1,229.8	21.4%
70-100	565.9	9.9%
90-120	19.2	0.3%
0-90	5,724.2	99.7%
90-180	19.2	0.3%
0-180	5,743.4	100%

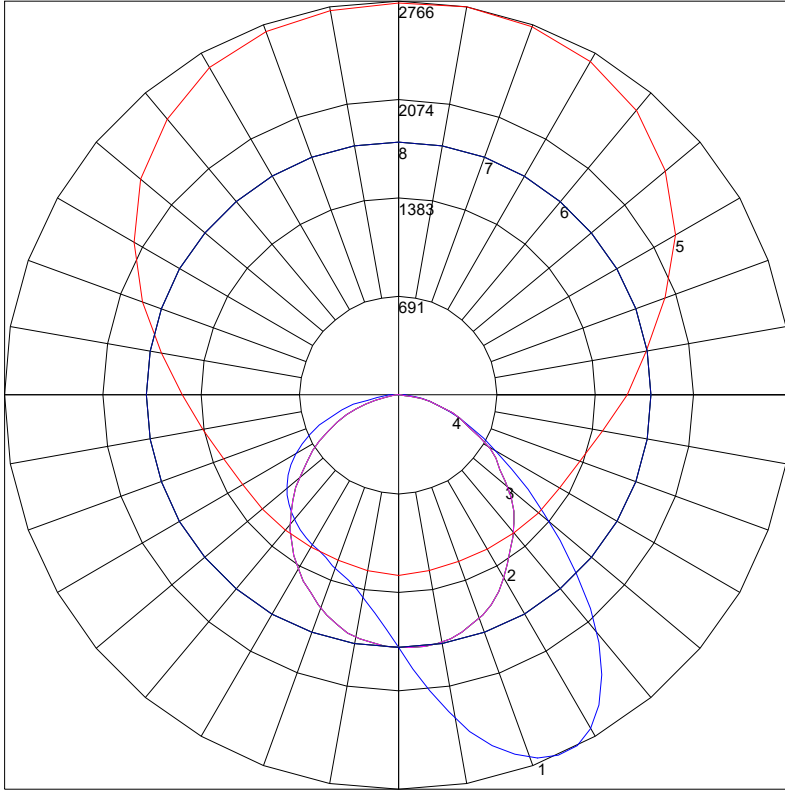
Vantage reserves the right to change components, finishes or design details in any manner which does not alter the installed appearance or reduce performance and intended function. vHealth® is a registered trademark of Lexington Lighting Group, LLC dba Vantage Lighting

### Photometrics

#### IES INDOOR REPORT

PHOTOMETRIC FILENAME : VNAAF48LK48WDMV40K.IES

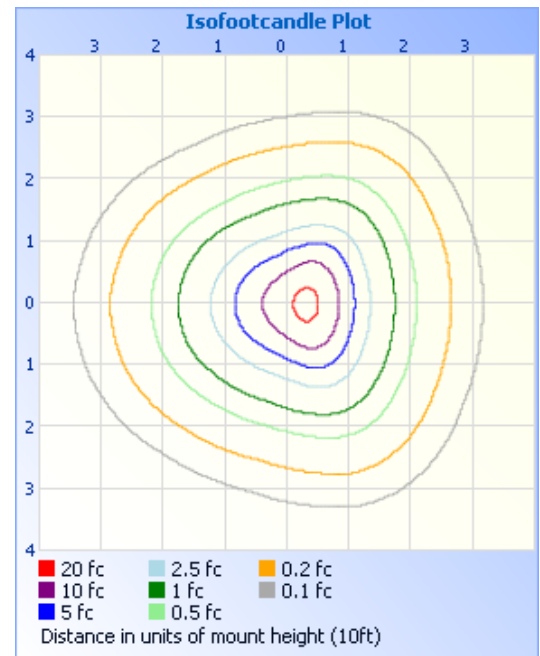
#### POLAR GRAPH



Maximum Candela = 2765.993 Located At Horizontal Angle = 80, Vertical Angle = 24 # 1 - Vertical Plane Through Horizontal Angles (80 - 260) (Through Max. Cd.)  
 # 2 - Vertical Plane Through Horizontal Angles (0 - 180)  
 # 3 - Vertical Plane Through Horizontal Angles (0 - 180)  
 # 4 - Vertical Plane Through Horizontal Angles (0 - 180)  
 # 5 - Horizontal Cone Through Vertical Angle (24) (Through Max. Cd.)  
 # 6 - Horizontal Cone Through Vertical Angle (0)  
 # 7 - Horizontal Cone Through Vertical Angle (0)  
 # 8 - Horizontal Cone Through Vertical Angle (0)

Illuminance at a Distance			
	Center Beam fc	Beam Width	
1.7ft	614 fc	4.4 ft	2.1 ft
3.3ft	163 fc	8.5 ft	4.0 ft
5.0ft	70.9 fc	12.9 ft	6.1 ft
6.7ft	39.5 fc	17.3 ft	8.2 ft
8.3ft	25.7 fc	21.4 ft	10.2 ft
10.0ft	17.7 fc	25.8 ft	12.2 ft

■ Vert. Spread: 104.4°  
■ Horiz. Spread: 63.0°



#### Coefficients Of Utilization - Zonal Cavity Method

Effective Floor Cavity Reflectance: 20%

RCC %:	80			70			50			30			10			0		
RW %:	70	50	30	0	70	50	30	0	50	30	20	50	30	20	50	30	20	0
RCR: 0	1.19	1.19	1.19	1.19	1.16	1.16	1.16	1.00	1.11	1.11	1.11	1.06	1.06	1.06	1.02	1.02	1.02	1.00
1	1.09	1.04	1.00	.96	1.06	1.02	.98	.85	.97	.94	.91	.93	.91	.88	.90	.88	.86	.84
2	.99	.91	.84	.78	.96	.89	.83	.71	.85	.80	.76	.82	.78	.74	.79	.75	.72	.70
3	.90	.80	.72	.65	.88	.78	.71	.61	.75	.69	.63	.72	.67	.62	.70	.65	.61	.59
4	.83	.71	.62	.55	.80	.69	.61	.52	.67	.60	.54	.64	.58	.53	.62	.57	.52	.50
5	.76	.63	.54	.47	.74	.62	.54	.45	.60	.52	.47	.58	.51	.46	.56	.50	.46	.43
6	.70	.57	.48	.41	.68	.56	.47	.40	.54	.46	.41	.52	.46	.40	.51	.45	.40	.38
7	.65	.51	.43	.36	.63	.51	.42	.35	.49	.41	.36	.48	.41	.36	.46	.40	.35	.33
8	.60	.47	.38	.32	.59	.46	.38	.32	.45	.37	.32	.43	.37	.32	.42	.36	.32	.30
9	.56	.43	.35	.29	.55	.42	.34	.28	.41	.34	.29	.40	.33	.29	.39	.33	.28	.27
10	.53	.40	.32	.26	.51	.39	.31	.26	.38	.31	.26	.37	.31	.26	.36	.30	.26	.24

#### Zonal Lumen Summary

Zone	Lumens	% Luminaire
0-30	1,529.4	26.9%
0-40	2,579.4	45.3%
0-60	4,557.9	80.1%
60-90	1,117.0	19.6%
70-100	483.5	8.5%
90-120	15.2	0.3%
0-90	5,674.9	99.7%
90-180	15.2	0.3%
0-180	5,690.1	100%

Vantage reserves the right to change components, finishes or design details in any manner which does not alter the installed appearance or reduce performance and intended function. vHealth® is a registered trademark of Lexington Lighting Group, LLC dba Vantage Lighting

# vHealth<sup>®</sup> MRI

## Electromagnetic Interference (EMI) Filter



### VEMI2 - 2-Port EMI Filter

### VEMI4 - 4-Port EMI Filter

#### APPLICATIONS

- MRI Rooms

#### MATERIALS

- Steel Enclosure
- Steel Threaded Pipe
- Easy Connect Terminal Blocks

#### ELECTRICAL

- Class II output 100W
- 3A / up to 40VDC

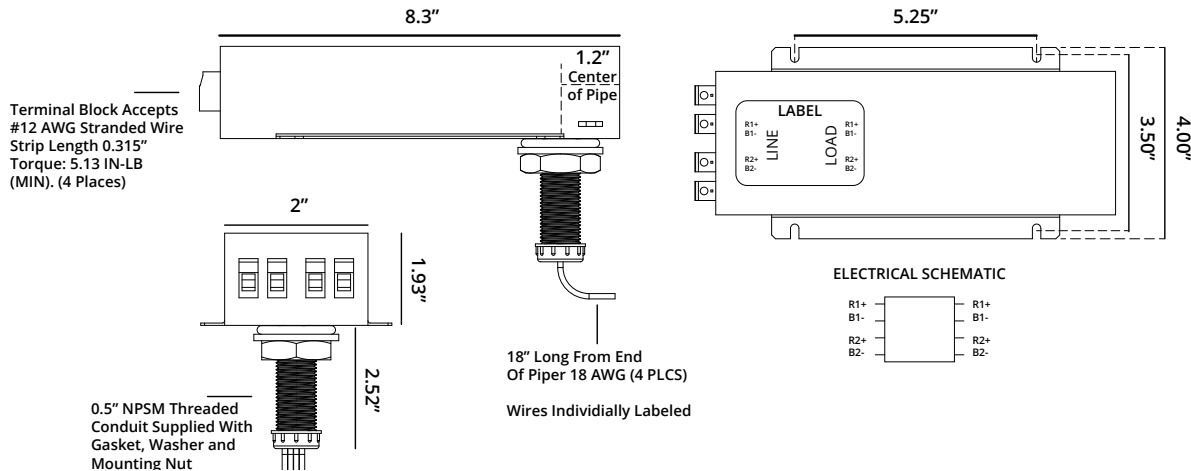
#### SPECIFICATIONS

- Filter provides >100dB attenuation between 10Khz - 1Ghz on 0-10V dimming circuits
- Operating temperature rating: -10°C to + 60°C

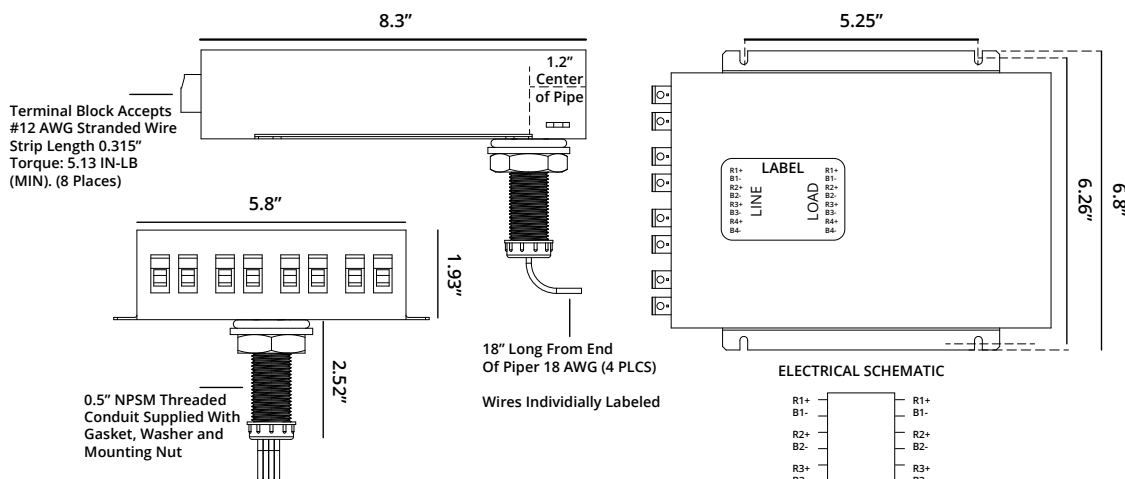
#### MECHANICAL (DIMENSIONS - INCHES)

PART NUMBER	DESCRIPTION	LENGTH	WIDTH	DEPTH
VEMI2	2-Port EMI Filter	8.70"	3.98"	1.93"
VEMI4	4-Port EMI Filter	8.70"	6.73"	1.93"

### VEMI2 - 2-Port EMI Filter



### VEMI4 - 4-Port EMI Filter



Vantage reserves the right to change components, finishes or design details in any manner which does not alter the installed appearance or reduce performance and intended function.

vHealth<sup>®</sup> is a registered trademark of Lexington Lighting Group, LLC dba Vantage Lighting