

Catalog #	Type
Project	
Notes	Date
Prepared by	

6" Round vHealth® Surgical*

LED 6" Lensed Downlight, 750-7000 Lumens

*Surgical requires IP65 option



Description

Designed for modern healthcare facilities. 6 inch LED recessed, non-IC luminaire with medium beam spread, featuring superior thermal management with low profile projection into the plenum. Light engine features LED module and LED driver with outputs ranging from 750 to 7000 lumens and color temperatures from 2700 to 5000K. A wide selection of drivers, anti-microbial finishes and emergency battery back-up options available.

Specifications and Features

Construction

access covers and spring retaining latches; (3) 3/4" knockouts allowing straight conduit runs. Listed for (8) #12 AWG (4 in, 4 out), 90°C conductors and feed through branch wiring. Driver, LED module and optional battery backup accessible from below ceiling. Reflectors are held in place by friction clips, securing reflector flange tightly to finished ceiling.

Vertically adjustable mounting brackets, accessible from below, accept a variety of mounting bars. Provided as standard with rigid formed bar hangers with joist positioning tabs, integral nails, auxiliary nail holes and T-bar slots. Suitable for joist spacing from 12 to 24".

Light Engine

LED module produces up to 107 lumens per watt. Output ranges from 750 to 7000 lumens with (4) standard color temperatures. Color variations are less than 3-step MacAdam ellipses and have greater than 85 CRI at all color temperatures. Rated life in excess of 50,000 hours at 70% of initial lumen output (L70≥50,000

hours). Standard driver features auto reset thermal protection and 0-10v dimming to 1% of light output with flicker free operation. Optional TRIAC (phase control) Lutron Fade-to-Black and other dimming drivers available. Optional BioSync™ kelvin color control technology

Optics

LED module features soft white acrylic window, obscuring LED's, preventing pixelation while producing soft uniform illumination. Reflectors are one piece spun from heavy gauge aluminum and are self flanged. Reflectors are treated with antimicrobial finish, producing even illumination across the beam spread free of streaks, striation or hotspots with superior cutoff and brightness control..

Controls

Compatible with a wide range of controls systems depending on driver selected. Standard LED driver comes equipped with SensorReady technology through a simple two wire connection to occupancy, vacancy or daylight sensors.

An open source architecture allows for the use of a wide variety of sensors and the ability to control individual or grouped luminaires through wireless communications

Listings

Manufactured and Listed to UL1598, ETL and CSA standards. Damp rated, wet location listed under covered ceiling. Ambient operating temperature range: -20oC to 30oC. All photometric tests performed by accredited NVLAP facility, and in accordance with IESNA LM-79 2008 procedures. Optional IP65 provides dust and water protection below ceiling plane in certain configurations.

Warranty

5-year limited warranty on LED module and driver.

Ordering Information

EXAMPLE: V6EVHU-1130K-L6011FR-SGC-AM

Series/Source	Voltage	Lumens	Kelvin	Reflector	Lens	Finish	Options
V6EVH 6" round	U ¹ - 120V-277V 1 - 120 Volts 2 - 277 Volts	-07 ⁸ - 750 -11 ⁸ - 1100 -15 ⁸ - 1500 -20 ⁸ - 2000 -30 - 3000 -40 ³ - 4000 -50 ^{3,4} - 5000 -60 ^{2,3,4} - 6000 -70 ^{2,3,4} - 7000	27K - 2700K 30K - 3000K 35K - 3500K 40K - 4000K 50K - 5000K BSC - BioSync™ Color ⁹	L601_ Medium Distribution	1 1P 1FRP 4 4P 2D 4D 6D 8D	SCL-AM SGC-AM WHT-AM	DL-2 ² LDE1 ³ TDM ⁴ DTD ⁵ EM-17 ⁷ EM-20 ⁸ HCR ¹⁰ PF AT IP65

Notes

- Must provide voltage when optional drivers are selected.
- DL-2 Not available above 3000 Lumens.
- LDE1 not available above 4000 Lumens.
- TDM driver not available above 5000 Lumens.
- DTD not available above 4000 Lumens.
- EM17 and EM17 for use up to 5000 Lumens.
- EM20 for use above 5000 Lumens.
- BSC not available above 2000 Lumens, includes DTD driver
- HCR not available above 2000 Lumens.
- IP65 - Requires lens EXCLUDING lens 4 and 4P

Lens Options

- 1 - Clear Glass
- 1P - Clear Polycarbonate
- 1FR - Frosted Glass
- 1FRP - Frosted Polycarbonate
- 4 - Prismatic Glass
- 4P - Prismatic Acrylic

Special Optics

- 2D - Optical Diffuser-20°
- 4D - Optical Diffuser-40°
- 6D - Optical Diffuser-60°
- 8D - Optical Diffuser-80°

Anti-Microbial Reflector Finish Options

- SCL-AM - Specular Clear
- SGC-AM - Soft Glow Clear
- WHT-AM - White Painted
- All trims supplied standard with white painted flange.

Options

- DL-2² - Lutron 2 wire Hi-Lume Dimming Driver.
- LDE1³ - Lutron EcoSystem Fade-to-Black™.
- TDM⁴ - Triac Dimming Driver. Not available above 5000 Lumens.
- DTD⁵ - 0-10V, 0.1% dimming.
- EM-17⁷ - Emergency battery back-up. Remote test button & indicator Light.

- EM-20⁸ - Emergency battery back-up. Remote test button & indicator Light.
- HCR¹⁰ - 90 CRI (minimum).
- PF - Polished Flange.
- AT - Air Tight
- IP65 - requires lens EXCLUDING 4 and 4P

Vantage reserves the right to change components, finishes or design details in any manner which does not alter the installed appearance or reduce performance and intended function.

LED 6" Lensed Downlight, 750-7000 Lumens

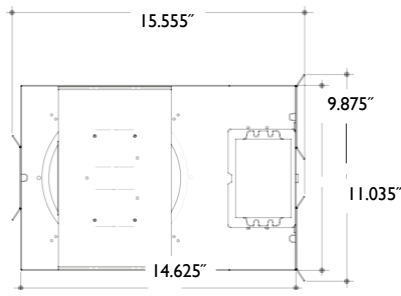
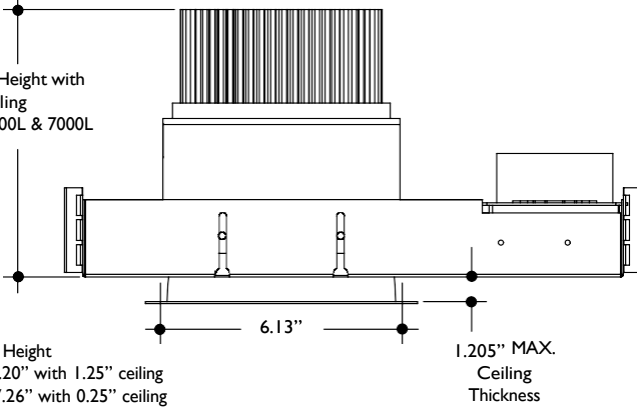
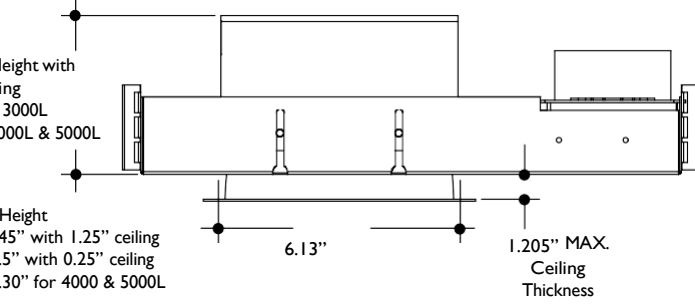
Ceiling Cut Out 6.13"

Overall Height with 5/8" Ceiling
 • 4.01" ≤ 3000L
 • 4.31" 4000L & 5000L

Overall Height
 • Min 3.45" with 1.25" ceiling
 • Max 4.5" with 0.25" ceiling
 • Add 0.30" for 4000 & 5000L

Overall Height with 5/8" Ceiling
 6.76" 6000L & 7000L

Overall Height
 • Min 6.20" with 1.25" ceiling
 • Max 7.26" with 0.25" ceiling



Lumens	Wattage*
750	9.4
1100	15.4
1500	21.6
2000	27.2
3000	33.2
4000	45.6
5000	58.5
6000	60.1
7000	85.3

*All measured at 3000K
 Actual Wattage/Lumens may vary.



PLEASE NOTE – IP65 option requires four equally spaced fasteners through the reflector flange, visible from below the ceiling plane.

Photometrics

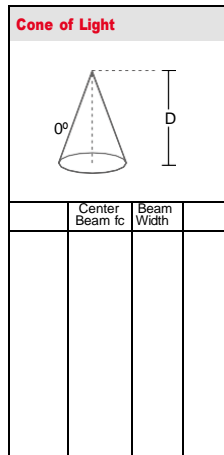
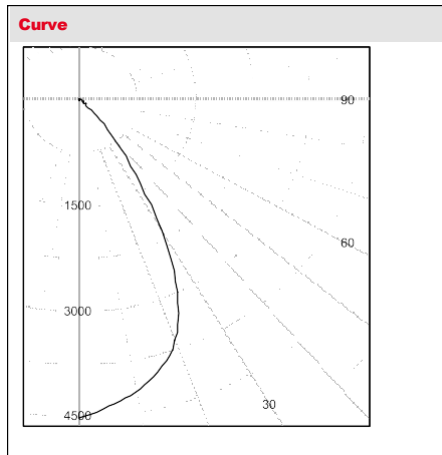
Test Number
LLI-17113-10

Model
V6EVHU-5035K-L6011SCL

Lumens
4095

Efficacy
70.2

SC
0.99



Candela Table

Degrees Vertical	Candela
0.0	4504
2.5	4465
5.0	4378
7.5	4303
10.0	4221
12.5	4124
15.0	4002
20.0	3646
22.5	3371
25.0	3019
27.5	2631
30.0	2158
32.5	1670
35.0	1279
37.5	950
40.0	658
42.5	428
45.0	253
47.5	139
50.0	96

Zonal Lumen Summary

Zone	Lumens	% Luminaire
0-30	2693	70.6
0-40	3704	90.5
0-60	3993	97.5
0-90	4095	100.0
40-90	391	9.5
60-90	102	2.5
90-180	0	0.0
0-180	4095	100.0

VANTAGE LIGHTING F-CLASS GEN V Multipliers

CRI	MULTIPLIER	KELVIN	MULTIPLIER	FINISH	MULTIPLIER
80	1	5000K	1.098	SCL	1
90	0.81	4000K	1.035	SGC	0.95
		3500K	1	WHT	0.87
		3000K	0.975		
		2700K	0.939		