

Part #	Prepared By
Project	Notes
Type	
Date	



4" Round, vHealth® IC-Rated

Enclosed, LED Downlight, IC-Rated, 750-5000 Lumens - Shallow Housing



Description

vHealth® luminaires are designed to meet the specific needs of modern healthcare facilities. Standard features include shallow, high output housings for tight healthcare plenums and antimicrobial trim finishes to help mitigate infections. Made with regressed lenses, Enclosed vHealth® recessed downlights are easy to clean and provide high quality light. Shallow IC-Rated housing can be in direct contact with insulation. Optional Air Tight is available for fully sealed lens and reflector.

Warranty & Notes

ELECTRICAL SYSTEM

- 750 - 5000 lumens
- 2700K - 5000K CCT
- Optional BioSync® Tunable White, 2700K - 6500K CCT
- Optional BioSync® Warm Tunable White, 1800K - 4000K CCT
- 80 CRI with 3 SDCM color consistency (+90 CRI optional)
- Standard 0-10V 1% dimming driver, ZDM; optional drivers available
- 120V-277V Input Volts
- Minimum 50,000 hour lifetime at L70
- -20°C to 30°C Ambient Operating Temperature Range

OPTICS

- Precision spun architectural-grade reflector with regressed lens
- Polycarbonate, Glass and Acrylic lens options
- Reflectors available in Alzak® and painted finishes; Antimicrobial standard
- Distribution is free of streaks, striations and hotspots
- 60° Medium distribution
- Easy to clean
- Air Tight sealed lens/reflector optional

FRAME & MOUNTING

- Galvanized steel frame with integrated junction box featuring hinged access covers with spring retaining latches
- Vertically adjustable rigid formed mounting brackets that accept a variety of mounting bars with auxiliary nail holes and T-bar slots
- T-Bars included, suitable for joist spacing from 12" to 24"
- Supports straight conduit runs - (3) 3/4" knockouts
- Through branch wiring - (8) #12 AWG (4 in, 4 out), 90°C conductors
- Accessibility to all LED components from below ceiling
- Flush to the ceiling reflectors, secured by high quality friction clips

Listings

- ETL certified to UL 1598 and UL8750 requirements
- Tested according to LM-79 and LM-80 standards
- Energy Star® certified versions available (see Vantage Energy Star® guide for details)
- Suitable for damp locations; Wet location under covered ceiling
- IC-Rated: insulation can be in direct contact with luminaire
- Buy American Act

Warranty & Notes

- 5-year limited warranty on LED module and driver
- www.vantageltg.com/product-warranty
- Photometric tests performed by an accredited NVLP facility and in accordance to IESNA LM-79-2008 testing procedures

Ordering Information

EXAMPLE: VIC4EVHU-1130K-L4011FR-SGC-AM-TDM

Series	Voltage	Lumens	Kelvin (CCT)	Reflector/Lens*	Antimicrobial Finishes	Options**
VIC4EVH	U - 120V-277V 1 - 120V 2 - 277V *Must provide voltage when optional drivers are selected.	07 - 750 11 - 1100 15 - 1500 20 - 2000 30 - 3000 40 - 4000 50 - 5000	27K - 2700K 30K - 3000K 35K - 3500K 40K - 4000K 50K - 5000K	L4011 L4011P L4011FR L4011FRP L4014 L4014P L4012D L4014D L4016D L4018D	SCL-AM Specular Clear Antimicrobial SGC-AM Soft Glow Clear Antimicrobial WHT-AM White Matte Antimicrobial *All trims supplied standard with white painted flange.	ZDM TDM HCR AT PF EM-17

*Lens Notes

- L4011 - Medium Beam Clear Glass Lensed Reflector
- L4011P - Medium Beam Clear Polycarbonate Lensed Reflector
- L4011FR - Medium Beam Frosted Glass Lensed Reflector
- L4011FRP - Medium Beam Frosted Polycarbonate Lensed Reflector
- L4014 - Medium Beam Prismatic Glass Lensed Reflector
- L4014P - Medium Beam Prismatic Acrylic Lensed Reflector
- L4012D - BeamShaper® Lens, 20° Beam Angle Reflector
- L4014D - BeamShaper® Lens, 40° Beam Angle Reflector
- L4016D - BeamShaper® Lens, 60° Beam Angle Reflector
- L4018D - BeamShaper® Lens, 80° Beam Angle Reflector

**Options Notes

- ZDM - 0-10V 1% dimming driver. (standard)
- TDM - Triac (Forward Phase, 120V only) dimming driver
- HCR - High CRI, 90+ minimum. Not available in 5000 Kelvin.
- AT - Air Tight
- PF - Polished Flange
- EM-17 - Emergency battery back-up. Remote test button & indicator light.

Nominal Lumens	Wattage
750	9.4
1100	15.4
1500	21.6
2000	27.2
3000	33.2
4000	45.6
5000	58.5
All measured at 3500K with a standard medium distribution *Actual Wattage/Lumens may vary.	

Vantage reserves the right to change components, finishes or design details in any manner which does not alter the installed appearance or reduce performance and intended function.

vHealth® is a registered trademark of Lexington Lighting Group, LLC dba Vantage Lighting

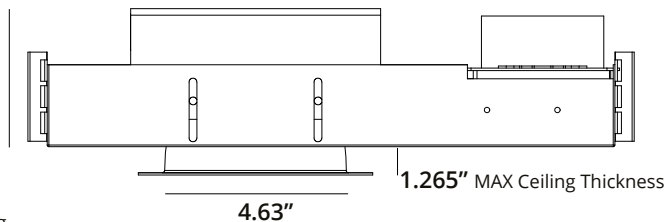
4" Round, vHealth® IC-Rated

Enclosed, LED Downlight, IC-Rated, 750-5000 Lumens - Shallow Housing

Dimensional Data

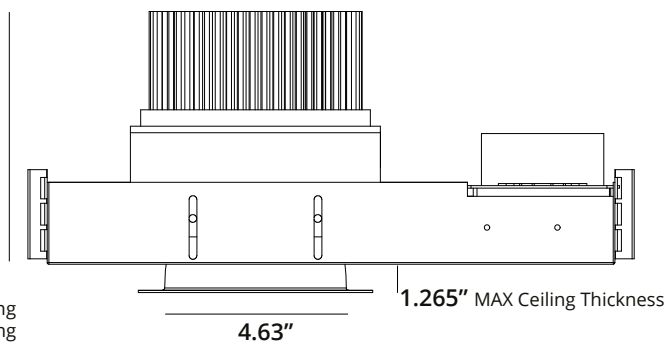
Ceiling Cut Out 4.63"

Overall Height with 5/8" Ceiling
3.31" 3000L
3.61" 4000L & 5000L

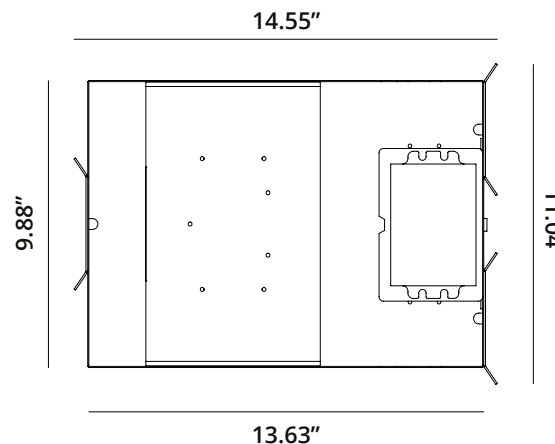


Overall Height
 Min. 3.14" with 1.25" Ceiling
 Max. 3.75" With 0.25" Ceiling
 Add 0.30" for 4000 & 5000L

Overall Height with 5/8" Ceiling
6.07" 6000L & 7000L



Overall Height
 Min. 5.50" with 1.25" Ceiling
 Max. 6.50" With 0.25" Ceiling



ANTIMICROBIAL REFLECTOR FINISHES



WHT
White Matte

SGC
Soft Glow Clear

SCL
Specular Clear

Photometry

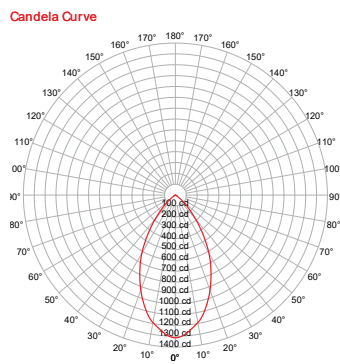
Model
VIC4EVH-2035K-L406011-SCL

Lumens
1,239

Watts
27.2

Efficacy
45.55

SC
0.84



Mounting Height AFF	FC at Center on Floor	Beam Diameter
8.0'	21 fc	8.8'
10.0'	13 fc	11.0'
12.0'	9 fc	13.2'
14.0'	7 fc	15.4'
16.0'	5 fc	17.6'
20.0'	3 fc	21.9'
24.0'	2 fc	26.3'
30.0'	1 fc	32.9'

Mounting Height AFF	0.00°
8.00°	1,314
5.00°	1,271
15.00°	1,076
90.00°	0

Zone	Lumens	% Luminaire
0° - 30°	774	62%
0° - 40°	1,054	85%
0° - 60°	1,222	99%
60° - 90°	40	3%
0° - 20°	420	34%
20° - 50°	793	64%
50° - 70°	87	7%
70° - 90°	2	0%
0° - 90°	1,239	100%
90° - 180°	0	0%
Total	1,239	100%

Height	Spacing	Light Level*
8 ft	6.7 ft	~ 21 fc
10 ft	8.4 ft	~ 13 fc
12 ft	10.1 ft	~ 9 fc
8 ft	5.0 ft	~ 37 fc
10 ft	6.3 ft	~ 23 fc
12 ft	7.6 ft	~ 16 fc
8 ft	3.4 ft	~ 82 fc
10 ft	4.2 ft	~ 53 fc
12 ft	5.0 ft	~ 37 fc

* approximate direct light level at floor based on spacing criterion overlap

Multiplier

CRI	Multiplier	Kelvin	Multiplier	Reflector Finish	Multiplier
80	1	2700K	0.939	SCL	1
90	0.8	3000K	0.975	SGC	0.95
		3500K	1	WHT	0.87
		4000K	10.35		
		5000K	1.098		

Vantage reserves the right to change components, finishes or design details in any manner which does not alter the installed appearance or reduce performance and intended function.
 vHealth® is a registered trademark of Lexington Lighting Group, LLC dba Vantage Lighting