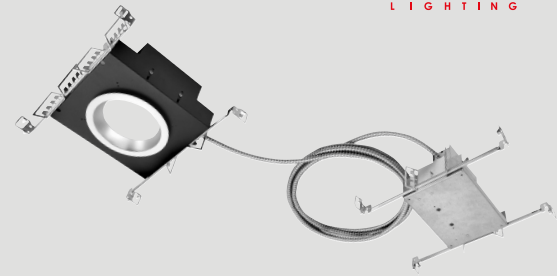


Part #	Prepared By
Project	Notes
Type	
Date	



6" Round, vHealth® MRI IC-RATED

Enclosed, LED Downlight, MRI, 750-5000 Lumens



Description

vHealth® MRI luminaires are made with non-ferrous metals to ensure safe and reliable operation in medical imaging suites. Separate light module and fixture housings enable easy installation of the remote power supply. vHealth® MRI lights come standard with antimicrobial trim finishes to help mitigate infection risks throughout medical facilities. Optional EMI Filters available for turnkey solution. Made with regressed lenses, Lensed vHealth® MRI recessed downlights are easy to clean and provide high quality light. Shallow IC-Rated housings can be in direct contact with insulation.

Warranty & Notes

ELECTRICAL SYSTEM

- 750 - 5000 lumens
- 2700K - 5000K CCT
- 80 CRI with 3 SDCM color consistency (+90 CRI optional)
- Standard 0-10V 1% dimming driver; optional drivers available
- 120 - 277V
- Minimum 50,000 hour lifetime at L70
- -20°C to 30°C Ambient Operating Temperature Range
- Optional 2-Port & 4-Port EMI filters

OPTICS

- Precision spun architectural-grade reflector with regressed lens
- Polycarbonate, Glass and Acrylic lens options
- Reflectors available in Alzak® and painted finishes; Antimicrobial standard
- Distribution is free of streaks, striations and hotspots
- Medium distribution
- Easy to clean

FRAME & MOUNTING

- Non-Ferrous frame with integrated junction box featuring hinged access covers with spring retaining latches
- Remote mount driver frame with integrated junction box featuring hinged access covers with spring retaining latches
- Vertically adjustable rigid formed mounting brackets that accept a variety of mounting bars with auxiliary nail holes and T-bar slots
- T-Bars included, suitable for joist spacing from 12" to 24"
- Supports straight conduit runs - (3) 3/4" knockouts
- Through branch wiring - (8) #12 AWG (4 in, 4 out), 90°C conductors
- Accessibility to all LED components from below ceiling
- Flush to the ceiling reflectors, secured by high quality friction clips

Listings

- ETL certified to UL 1598 and UL8750 requirements
- Tested according to LM-79 and LM-80 standards
- Energy Star® certified versions available (see Vantage Energy Star® guide for details)
- Suitable for damp locations; Wet location under covered ceiling
- IC-Rated: insulation can be in direct contact with luminaire
- Buy American Act

Warranty & Notes

- 5-year limited warranty on LED module and driver, www.vantageltg.com/product-warranty
- Photometric tests performed by an accredited NVLP facility and in accordance to IESNA LM-79-2008 testing procedures

Ordering Information

EXAMPLE: VIC6EVHMRIU-1130K-MRI6011-SGC-AM-TDM

VIC6EVHMRI						
Series	Voltage	Lumens	Kelvin (CCT)	Reflector/Lens*	Antimicrobial Finishes	Options**
VIC6EVHMRI	U - 120V-277V 1 - 120V 2 - 277V *Must provide voltage when optional drivers are selected.	07 - 750 11 - 1100 15 - 1500 20 - 2000 30 - 3000 40 - 4000 50 - 5000	27K - 2700K 30K - 3000K 35K - 3500K 40K - 4000K 50K - 5000K	MRI6011 MRI6011P MRI6011FR MRI6011FRP MRI6014 MRI6014P MRI6016 MRI6012D MRI6014D MRI6016D MRI6018D	SCL-AM Specular Clear Antimicrobial SGC-AM Soft Glow Clear Antimicrobial WHT-AM White Matte Antimicrobial *All trims supplied standard with white painted flange.	VEM12 VEM14 TDM HCR PF EM-17

*Lens Notes

- MRI6011 - Medium Beam Clear Glass Lensed Reflector
- MRI6011P - Medium Beam Clear Polycarbonate Lensed Reflector
- MRI6011FR - Medium Beam Frosted Glass Lensed Reflector
- MRI6011FRP - Medium Beam Frosted Polycarbonate Lensed Reflector
- MRI6014 - Medium Beam Prismatic Glass Lensed Reflector
- MRI6014P - Medium Beam Prismatic Acrylic Lensed Reflector
- MRI6016 - Medium Beam Fresnel Glass Lensed Reflector
- MRI6012D - BeamShaper® Lens, 20° Beam Angle Reflector
- MRI6014D - BeamShaper® Lens, 40° Beam Angle Reflector
- MRI6016D - BeamShaper® Lens, 60° Beam Angle Reflector
- MRI6018D - BeamShaper® Lens, 80° Beam Angle Reflector

*Options Notes

- VEM12 - 2-Port EMI Filter
- VEM14 - 4-Port EMI Filter
- TDM - Triac (Forward Phase, 120V only) dimming driver
- HCR - High CRI, 90+ minimum. Not available in 5000 Kelvin.
- PF - Polished Flange
- EM-17 - Emergency battery back-up. Remote test button & indicator light. For 750-5000 lumen luminaires.

Vantage reserves the right to change components, finishes or design details in any manner which does not alter the installed appearance or reduce performance and intended function.

vHealth® is a registered trademark of Lexington Lighting Group, LLC dba Vantage Lighting



VEMI2 - 2-Port EMI Filter

VEMI4 - 4-Port EMI Filter

APPLICATIONS

- MRI Rooms

MATERIALS

- Steel Enclosure
- Steel Threaded Pipe
- Easy Connect Terminal Blocks

ELECTRICAL

- Calss II output 100W
- 3A / up to 40VDC

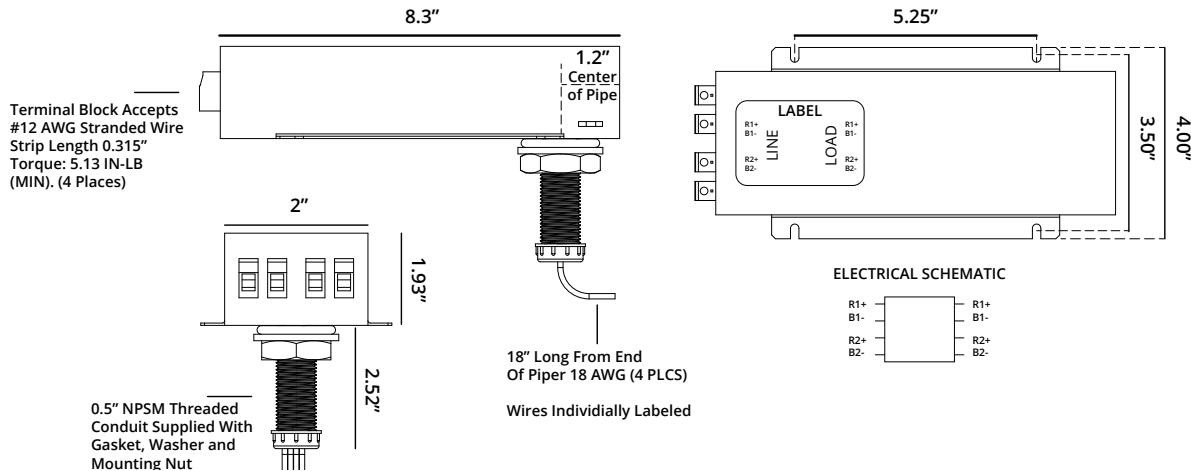
SPECIFICATIONS

- Filter provides >100dB attenuation between 10Khz - 1Ghz on 0-10V dimming circuits
- Operating temperature rating: -10°C to + 60°C

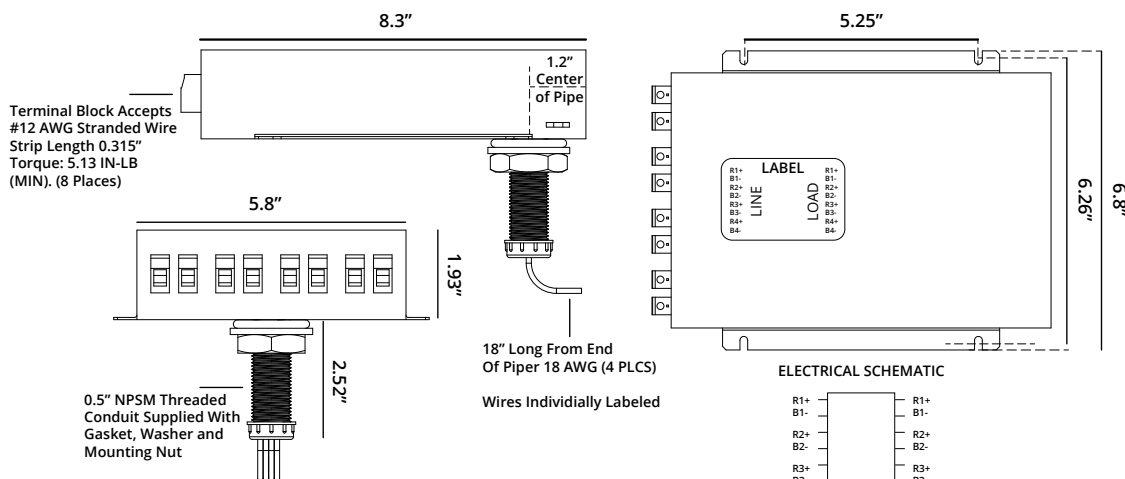
MECHANICAL (DIMENSIONS - INCHES)

PART NUMBER	DESCRIPTION	LENGTH	WIDTH	DEPTH
VEMI2	2-Port EMI Filter	8.70"	3.98"	1.93"
VEMI4	4-Port EMI Filter	8.70"	6.73"	1.93"

VEMI2 - 2-Port EMI Filter



VEMI4 - 4-Port EMI Filter



Vantage reserves the right to change components, finishes or design details in any manner which does not alter the installed appearance or reduce performance and intended function.

vHealth® is a registered trademark of Lexington Lighting Group, LLC dba Vantage Lighting