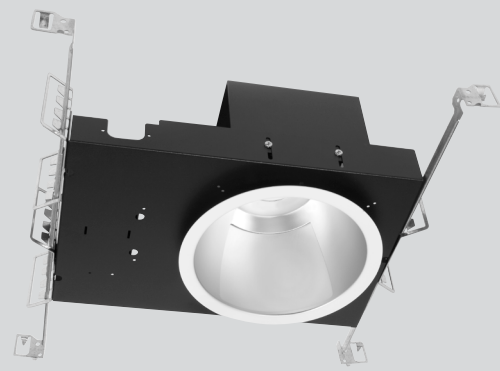


| | |
|-------------|------|
| Catalog # | Type |
| Project | |
| Notes | Date |
| Prepared by | |



8" LED/vHealth™

LED 8" Open Wall Wash, IC Rated, 750-5000 Lumens



Description

Designed for medical imaging areas. 8 inch LED recessed, IC rated luminaire with wall wash spread, featuring superior thermal management with low profile projection into the plenum. Light engine features LED module and LED driver with outputs ranging from 750 to 5000 lumens and color temperatures from 2700 to 5000K. A wide selection of drivers, reflector finishes and emergency battery back-up options available.

Specifications and Features

Construction

Galvanized steel mounting frame with integral junction box featuring hinged access covers and spring retaining latches; (3) 3/4" knockouts allowing straight conduit runs. Listed for (8) #12 AWG (4 in, 4 out), 90oC conductors and feed through branch wiring. Driver, LED module and optional battery backup accessible from below ceiling. Reflectors are held in place by friction clips, securing reflector flange tightly to finished ceiling. Vertically adjustable mounting brackets, accessible from below, accept a variety of mounting bars. Provided as standard with rigid formed bar hangers with joist positioning tabs, integral nails, auxiliary nail holes and T-bar slots. Suitable for joist spacing from 12 to 24".

Light Engine

LED module produces up to 107 lumens per watt. Output ranges from 750 to 5000 lumens with (4) standard color temperatures. Color variations are less than 3-step MacAdam ellipses and have greater than 85 CRI at all color temperatures. Rated life in excess of 50,000 hours at 70% of initial lumen output (L₇₀>50,000 hours). Standard driver features auto reset thermal protection and 0-10V dimming-free operation. Optional Triac (phase control) driver available.

Optics

LED module features soft white acrylic window, obscuring LED's, preventing pixilation and producing uniform brightness. Reflectors are a one-piece spinning from heavy gauge, high purity aluminum and are self-flanged. Reflectors are available in both Anti-Microbial Alzak® and painted finishes, producing a uniform distribution free of streaks, striations or hotspots while also provide superior cutoff and brightness control. Standard distribution is medium with lens options available that include glass and polycarbonate materials with a variety of optical properties.

Controls

Compatible with a wide range of controls systems depending on driver selected. Standard driver features SensorReady technology for simple 2 wire connection to motion and daylight harvesting sensors. An open source architecture allows for the use of a wide variety of sensors and the ability to control individual or grouped luminaires through wireless communications.

Listings

Manufactured and Listed to UL 1598, ETL and CSA standards. IC rated, insulation may be in direct contact with luminaire. Suitable for Damp Locations; Wet location under covered ceiling. Ambient operating temperature range: -20°C to 30°C. All photometric tests performed by an accredited NVLP facility and in accordance to IESNA LM-79-2008 testing procedures.

Warranty

5-year limited warranty on LED module and driver.

Ordering Information

EXAMPLE: VIC8OVHWWU-1130K-L8160-SGC-AM

| Series/Source | Voltage | Lumens | Kelvin | Reflector | Finish | Options |
|--|---|---|---|-----------|----------------------------|---------------------------|
| VIC8OVHWW 8" round, Wall Wash, IC Rated | U ¹ - 120V-277V 1 - 120 Volts | -07 - 750 -11 - 1100 -15 - 1500 -20 - 2000 -30 - 3000 -40 ³ - 4000 -50 ³ - 5000 | 27K - 2700K 30K - 3000K 35K - 3500K 40K - 4000K 50K - 5000K | L8160 | SCL-AM SGC-AM WHT-AM | TDM EM-17 HCR PF |

Anti-Microbial Reflector Finish Options

SCL-AM - Specular Clear
SGC-AM - Soft Glow Clear
WHT-AM - White Painted

All trims supplied standard
with white painted flange.

Notes

1 - Must provide voltage when optional drivers are selected.

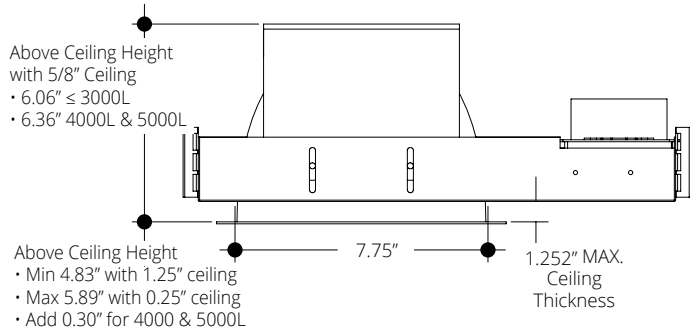
Options

TDM - Triac Dimming Driver.
EM-17 - Emergency battery back-up. Remote test button & indicator Light.
HCR - 90 CRI (minimum).
PF - Polished Flange.

ign details in any manner which does not alter the installed appearance or reduce performance and intended function.

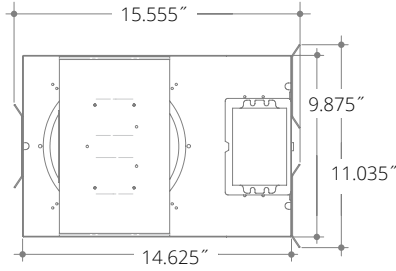
LED 8" Open Wall Wash, IC-Rated, 750-5000 Lumens

Ceiling Cut Out 7.75"



| Lumens | Wattage* |
|--------|----------|
| 750 | 9.4 |
| 1100 | 15.4 |
| 1500 | 21.6 |
| 2000 | 27.2 |
| 3000 | 33.2 |
| 4000 | 45.6 |
| 5000 | 58.5 |

All measured at 3000K
*Actual Wattage/Lumens may vary.



Photometrics

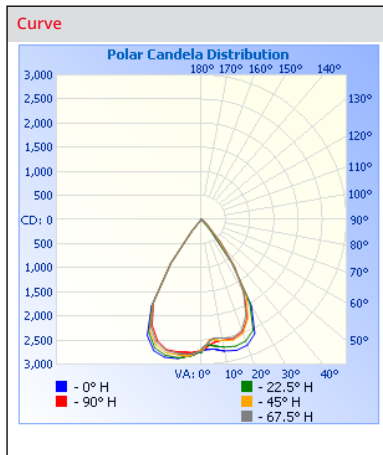
Test Number
PHM-RPT-180302-09

Model
VIX8OVHWWU-3035K

Lumens
3074.29

Efficacy
83.63

SC
0.9959



Cone of Light

| | Center Beam fc | Beam Width | |
|------|----------------|------------|------|
| 1.7 | 943 | 2.2 | 1.9 |
| 3.3 | 250 | 4.3 | 3.8 |
| 5.0 | 109 | 6.5 | 5.7 |
| 6.7 | 60.7 | 8.7 | 7.6 |
| 8.3 | 39.5 | 10.8 | 9.5 |
| 10.0 | 27.2 | 13.0 | 11.4 |

Candela Table

| Degrees Vertical | Candela |
|------------------|---------|
| 0.0 | 2724 |
| 1.0 | 2711 |
| 3.0 | 2696 |
| 5.0 | 2700 |
| 7.0 | 2720 |
| 9.0 | 2752 |
| 10.0 | 2766 |
| 15.0 | 2807 |
| 20.0 | 2772 |
| 25.0 | 2609 |
| 30.0 | 2065 |
| 35.0 | 1099 |
| 40.0 | 294 |
| 45.0 | 39 |
| 50.0 | 26 |
| 55.0 | 19 |
| 60.0 | 15 |
| 65.0 | 12 |
| 70.0 | 10 |
| 75.0 | 9 |
| 80.0 | 8 |
| 85.0 | 7 |
| 90.0 | 6 |

Zonal Lumen Summary

| Zone | Lumens | % Luminaire |
|--------|--------|-------------|
| 0-30 | 2138.5 | 69.6 |
| 0-40 | 2838.2 | 92.3 |
| 0-60 | 2980.0 | 97 |
| 60-90 | 42.8 | 1.4 |
| 70-100 | 31.3 | 1 |
| 90-120 | 22.8 | 0.7 |
| 0-90 | 3023.7 | 98.4 |
| 90-180 | 50.6 | 1.6 |
| 0-180 | 3074.4 | 100 |

VANTAGE LIGHTING vHealth™ Multipliers

| CRI | MULTIPLIER | KELVIN | MULTIPLIER | FINISH | MULTIPLIER |
|-----|------------|--------|------------|--------|------------|
| 80 | 1 | 5000K | 1.098 | SCL | 1 |
| 90 | 0.81 | 4000K | 1.035 | SGC | 0.95 |
| | | 3500K | 1 | WHT | 0.87 |
| | | 3000K | 0.975 | | |
| | | 2700K | 0.939 | | |