

Part #	Prepared By
Project	Notes
Type	
Date	



# MRT vHealth® MRI Room Troffer

LED MRI Room Troffer 1950-7500 Lumens



## Description

vHealth® MRT is a specification grade, Volumetric Recessed LED Luminaire which provides smooth and uniform ambient lighting for MRI suites with recessed configurations. Reflected light from matte surfaces provide a softened appearance to the modern hospital environment.

## Warranty & Notes

### ELECTRICAL SYSTEM

- 1900 - 7500 lumens
- 3000K - 5000K CCT
- 80 CRI (+90 CRI optional)
- Standard 20V-277V Input Volts 0-10V dimming driver, optional drivers available
- Minimum 50,000 hour lifetime at L70

### OPTICS & OPTIONS

- Frosted acrylic diffuser
- Matte white reflective surface for soft, uniform light distribution
- Antimicrobial Paint
- Easy access plate for quick wiring
- Easy to clean

## FRAME & MOUNTING

- Housing is die-formed 20 gauge Aluminum with remote-located driver
- Maximum suggested remote mounting distance is 15 feet from the luminaire
- Including 15' of non-ferrous conduit
- Sized for standard 1" T-bar grid mounting
- Luminaire body finish is high reflectance baked white antimicrobial matte white finish
- Multiple 1/2" knockouts and standard access cover allow for easy wiring and installation

## Listings

- ETL certified to UL 1598
- Tested according to LM-80 standards
- Suitable for dry and damp locations
- Buy American Act (BAA)

## Warranty & Notes

- 5-year limited warranty on LED module and driver
- Insulation cannot be in direct contact with luminaire

## Ordering Information

EXAMPLE: MRT-24L-Y45W-DMV-40K

MRT		-		-		-		-		-	
-----	--	---	--	---	--	---	--	---	--	---	--

Series	Size	Wattage	Driver <sup>1</sup>	Kelvin (CCT)	Finish	Options*
MRT	14L - 12"W X 48"L	Y15W - 1950 Lumens Y20W - 2600 Lumens Y25W - 3250 Lumens Y33W - 4290 Lumens	DMV - 0-10V Dimming Dim to 10%  DIMV - 120-277VAC 0-10V Dimming Dim to 1%	80CRI 30K - 3000K 35K - 3500K 40K - 4000K 50K - 5000K	BLANK - Antimicrobial White AMBK - Antimicrobial Black AMxx - Antimicrobial Custom Color Finish  (xx-custom finish option) *Standard with white finish	EM14 EM20 NFIK1x4 NFIK2x2 NFIK2x4
	22L - 24"W X 24"L	Y15W - 1950 Lumens Y20W - 2600 Lumens Y25W - 3250 Lumens Y33W - 4290 Lumens	G120 - ELV/TRIAC Dimming at 120V only	90CRI 930K - 3000K 935K - 3500K 940K - 4000K		
	24L - 24"W X 48"L	Y20W - 1950 Lumens Y25W - 3500 Lumens Y30W - 4200 Lumens Y35W - 4900 Lumens Y40W - 5600 Lumens Y45W - 6300 Lumens Y54W - 7500 Lumens				

### \*Options Notes

EM14 - 14 Watt Emergency battery back-up. Remote test button & indicator light.  
EM20 - 20 Watt Emergency batter back-up. Remote test button & indicator light.  
VEMI2 - 2-Port EMI filter.  
VEMI4 - 4-Port EMI filter.

### Frame in kits

NFIK1x4 - Frame in kit 1x4 NON FERROUS  
NFIK2x2 - Frame in kit 2x2 NON FERROUS  
NFIK2x4 - Frame in kit 2x4 NON FERROUS

### Notes

1 - Maximum remote mounting distance is 15 feet.

### \*EMI FILTER Notes

VEMI2 - 2-Port EMI filter up to two (2) fixtures.  
VEMI4 - 4-Port EMI filter up to four (4) fixtures.

ORDER SEPERATELY

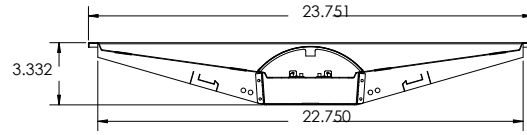
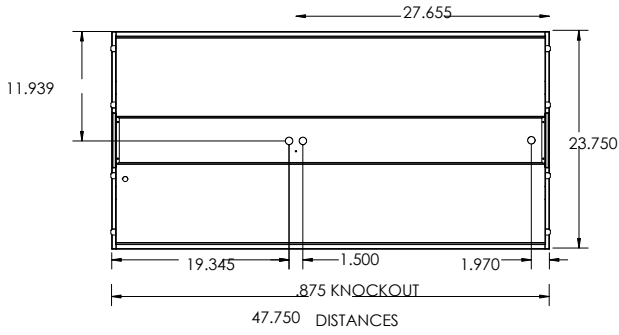
Vantage reserves the right to change components, finishes or design details in any manner which does not alter the installed appearance or reduce performance and intended function.

vHealth® is a registered trademark of Lexington Lighting Group, LLC dba Vantage Lighting

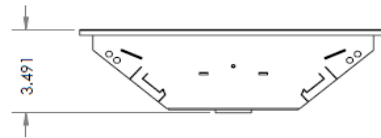
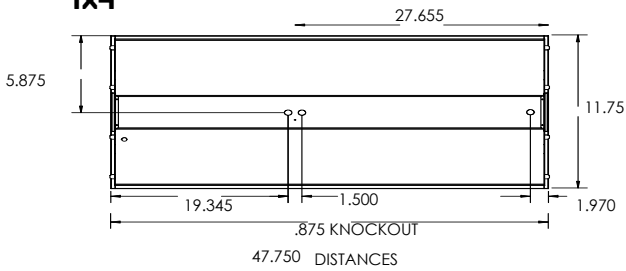
LED MRI Room Troffer 1950-7500 Lumens

## Dimensional Data

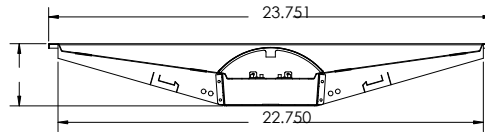
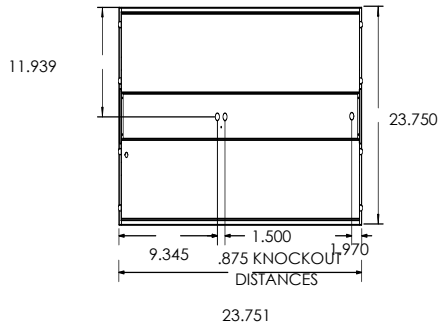
### 2x4



### 1x4

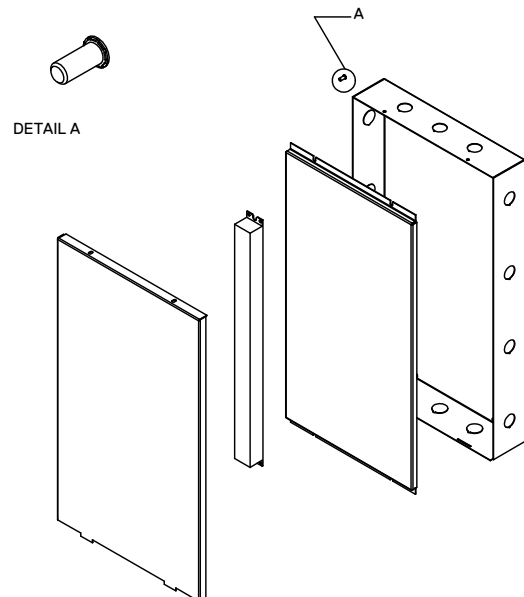
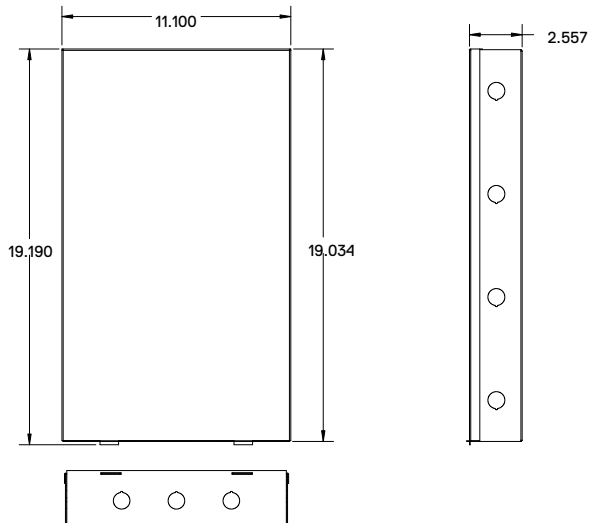


### 2x2



## Remote Driver Box -

Suggested maximum remote mounting distance is 15 feet.



Vantage reserves the right to change components, finishes or design details in any manner which does not alter the installed appearance or reduce performance and intended function.  
vHealth® is a registered trademark of Lexington Lighting Group, LLC dba Vantage Lighting

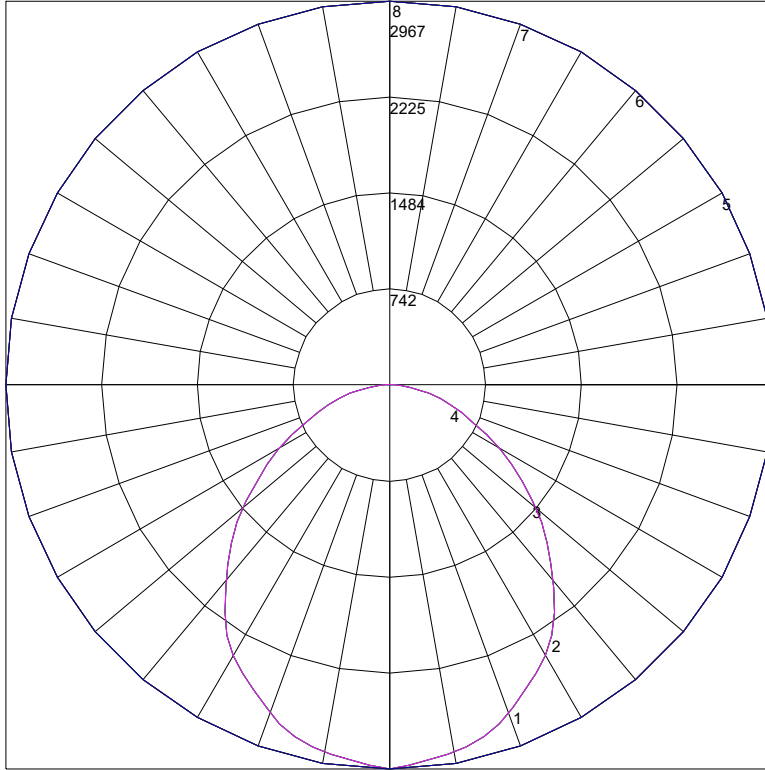
LED MRI Room Troffer 1950-7500 Lumens

## Photometrics

### IES INDOOR REPORT

PHOTOMETRIC FILENAME : MRT24LY54WDMV35K.IES

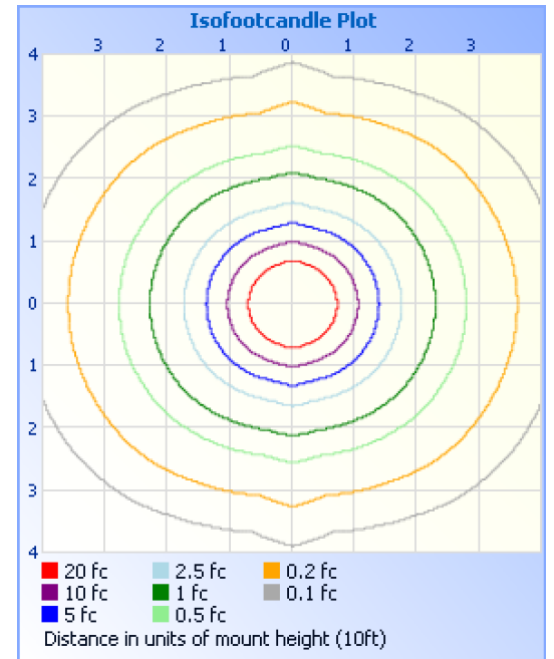
### POLAR GRAPH



Maximum Candela = 2967.258 Located At Horizontal Angle = 0, Vertical Angle = 0 # 1 - Vertical Plane Through Horizontal Angles (0 - 180) (Through Max. Cd.)  
 # 2 - Vertical Plane Through Horizontal Angles (0 - 180)  
 # 3 - Vertical Plane Through Horizontal Angles (0 - 180)  
 # 4 - Vertical Plane Through Horizontal Angles (0 - 180)  
 # 5 - Horizontal Cone Through Vertical Angle (0) (Through Max. Cd.)  
 # 6 - Horizontal Cone Through Vertical Angle (0)  
 # 7 - Horizontal Cone Through Vertical Angle (0)  
 # 8 - Horizontal Cone Through Vertical Angle (0)

	Center Beam fc	Beam Width	
1.7ft	837 fc	4.2 ft	7.2 ft
3.3ft	222 fc	8.2 ft	13.9 ft
5.0ft	96.8 fc	12.5 ft	21.1 ft
6.7ft	53.9 fc	16.7 ft	28.3 ft
8.3ft	35.1 fc	20.7 ft	35.1 ft
10.0ft	24.2 fc	24.9 ft	42.2 ft

■ Vert. Spread: 102.5°  
■ Horiz. Spread: 129.3°



### Coefficients Of Utilization - Zonal Cavity Method

Effective Floor Cavity Reflectance: 20%

RCC %:	80		70		50		30		10		0							
RW %:	70	50	30	0	70	50	30	0	50	30	20	50	30	20	0			
RCR: 0	1.19	1.19	1.19	1.19	1.16	1.16	1.16	1.00	1.11	1.11	1.11	1.06	1.06	1.06	1.02	1.02	1.02	1.00
1	1.08	1.04	.99	.95	1.06	1.01	.97	.84	.97	.94	.91	.93	.90	.88	.90	.87	.85	.83
2	.99	.90	.84	.78	.96	.89	.82	.71	.85	.80	.75	.82	.77	.74	.79	.75	.72	.70
3	.90	.80	.72	.65	.88	.78	.71	.61	.75	.69	.63	.72	.67	.62	.70	.65	.61	.59
4	.83	.71	.62	.55	.80	.69	.61	.52	.67	.60	.54	.65	.58	.53	.62	.57	.53	.51
5	.76	.63	.54	.48	.74	.62	.54	.46	.60	.53	.47	.58	.52	.47	.56	.51	.46	.44
6	.70	.57	.48	.42	.68	.56	.48	.40	.54	.47	.41	.53	.46	.41	.51	.45	.41	.39
7	.65	.52	.43	.37	.64	.51	.43	.36	.50	.42	.37	.48	.41	.36	.47	.41	.36	.34
8	.61	.47	.39	.33	.59	.47	.39	.32	.45	.38	.33	.44	.38	.33	.43	.37	.32	.31
9	.57	.44	.35	.30	.55	.43	.35	.29	.42	.35	.30	.41	.34	.30	.40	.34	.29	.28
10	.53	.40	.32	.27	.52	.40	.32	.27	.39	.32	.27	.38	.31	.27	.37	.31	.27	.25

### Zonal Lumen Summary

Zone	Lumens	% Luminaire
0-30	1,873.1	25.7%
0-40	3,074.1	42.2%
0-60	5,519.6	75.8%
60-90	1,761.3	24.2%
70-100	800.3	11%
90-120	1.6	0%
0-90	7,558.9	100%
90-180	2.5	0%
0-180	7,560.4	100%

Vantage reserves the right to change components, finishes or design details in any manner which does not alter the installed appearance or reduce performance and intended function. vHealth® is a registered trademark of Lexington Lighting Group, LLC dba Vantage Lighting

# vHealth<sup>®</sup> MRI

## Electromagnetic Interference (EMI) Filter



### VEMI2 - 2-Port EMI Filter

### VEMI4 - 4-Port EMI Filter

#### APPLICATIONS

- MRI Rooms

#### MATERIALS

- Steel Enclosure
- Steel Threaded Pipe
- Easy Connect Terminal Blocks

#### ELECTRICAL

- Class II output 100W
- 3A / up to 40VDC

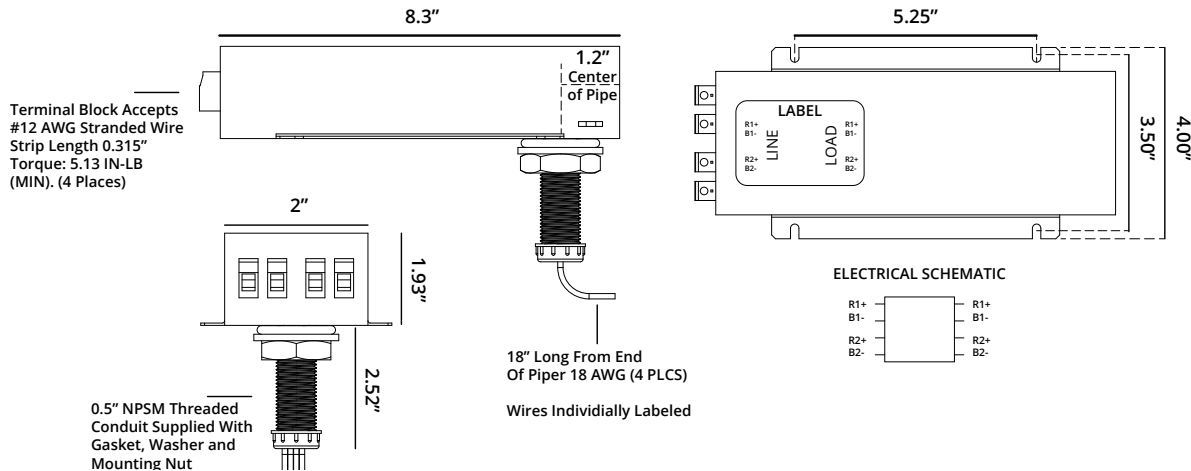
#### SPECIFICATIONS

- Filter provides >100dB attenuation between 10Khz - 1Ghz on 0-10V dimming circuits
- Operating temperature rating: -10°C to + 60°C

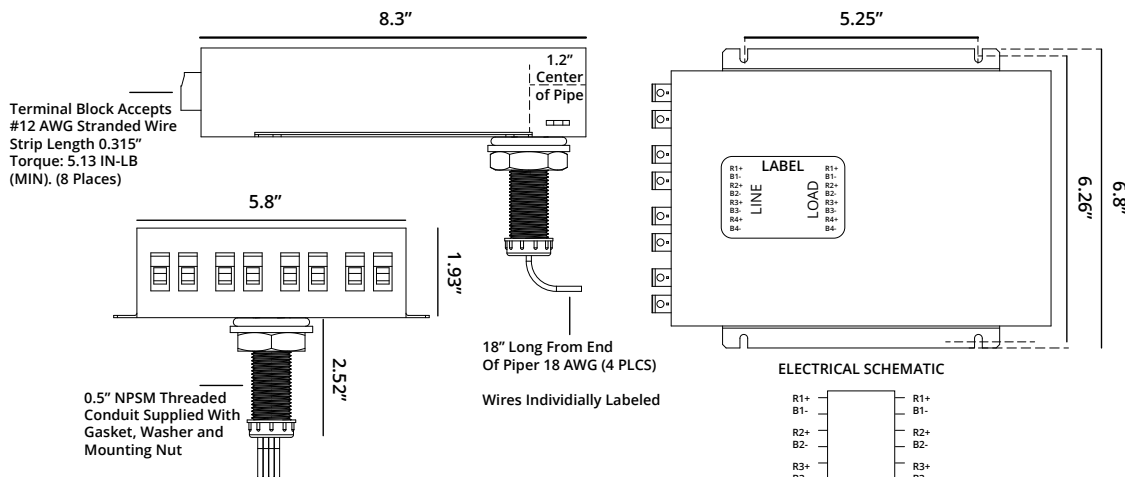
#### MECHANICAL (DIMENSIONS - INCHES)

PART NUMBER	DESCRIPTION	LENGTH	WIDTH	DEPTH
VEMI2	2-Port EMI Filter	8.70"	3.98"	1.93"
VEMI4	4-Port EMI Filter	8.70"	6.73"	1.93"

### VEMI2 - 2-Port EMI Filter



### VEMI4 - 4-Port EMI Filter



Vantage reserves the right to change components, finishes or design details in any manner which does not alter the installed appearance or reduce performance and intended function.

vHealth<sup>®</sup> is a registered trademark of Lexington Lighting Group, LLC dba Vantage Lighting