

Part #	Prepared By
Project	Notes
Type	
Date	



BHT vHealth® Behavioral Health Troffer

Recessed Luminaire 4000-25000 Lumens



Description

vHealth® BHT luminaires are made with cold rolled, 20 gauge steel. Luminaire body finish is high reflectance antimicrobial baked white enamel. Wiring knockouts are provided on the back and sides of housing. One piece door frame with diffused lens secures to housing with stainless steel vandal resistant fasteners. This specification grade fixture provides smooth and uniform high lumen ambient lighting for behavioral health spaces in healthcare facilities with rigid ceilings. Housing and door frame feature continuous extruded PVC foam gasket to provide seal from below ceiling plane when mounted in rigid ceilings.

Electrical & Optics

ELECTRICAL SYSTEM

- 4000 - 16000 lumens
- 3000K - 5000K CCT
- 80 CRI (+90 CRI optional)
- Standard 0-10V dimming driver, optional drivers available
- 120V-277V Input Volts
- Minimum 50,000 hour lifetime at L70

OPTICS & OPTIONS

- Frosted polycarbonate high impact diffuser spreads light to allow for a smooth even glow
- Diffuser is doubled for total of 0.236" thickness
- Easy to clean

FRAME & MOUNTING

- 20 gauge cold rolled steel for standard 1" T-bar grid mounting or rigid ceilings
- Multiple 7/8" knockouts and standard access cover allow for easy wiring and installation

Listings

- ETL certified to UL 1598
- Tested according to LM-80 standards
- Rated dry and damp locations
- IP65 rated, dust and water protection below ceiling plane.
- Buy American Act (BAA)
- Tested to MIL-STD-461G standards

Warranty & Notes

- 5-year limited warranty on LED module and driver
- Insulation cannot be in direct contact with luminaire

Features

- Anti-ligature design
- High impact resistant diffuser lens configuration
- Tamper proof fasteners in areas exposed to patient room

Ordering Information

EXAMPLE: BHT-22L-Y35W-DMV-40K

Series	Size	Wattage	Driver	Kelvin (CCT)	Finish*	Options*
BHT	14L - 11.75"W X 47.75"L	Y40W - 4000 Lumens Y65W - 7000 Lumens Y90W - 10000 Lumens BC55W - 6000 Lumens BC110W - 12000 Lumens	DMV 0-10V Dimming D1MV 0-10V Dimming Dim to 1% G120 ELV/Triac Dimming at 120V only	80CRI 30K - 3000K 35K - 3500K 40K - 4000K 50K - 5000K	BLANK - Antimicrobial Paint White Finish AMBK - Antimicrobial Paint Black Finish AMxx - Antimicrobial Paint Custom Finish	WP5W WP6W EM14 EM20
	22L - 23.75"W X 23.75"L	Y35W - 4000 Lumens Y65W - 7000 Lumens Y95W - 10000 Lumens		90CRI 930K - 3000K 935K - 3500K 940K - 4000K 950K - 5000K		
	24L - 23.75"W X 47.75"L	Y45W - 5200 Lumens Y90W - 10000 Lumens Y140W - 16000 Lumens BC220W - 25000 Lumens		HCR		

*Options Notes

WP5W - 6ft. 5 wire 18 gauge whip
WP6W - 6ft. 6 wire 18 gauge whip (dimming EM)
EM14 - 14W Emergency battery backup
EM20 - 20W Emergency battery backup (remote only)

*BioSync(R) Notes

BCxxxW - BioSync(R) technology tunable white
2700k - 5000k
HCR - 90CRI for BioSync(R)

Vantage reserves the right to change components, finishes or design details in any manner which does not alter the installed appearance or reduce performance and intended function.

vHealth® is a registered trademark of Lexington Lighting Group, LLC dba Vantage Lighting

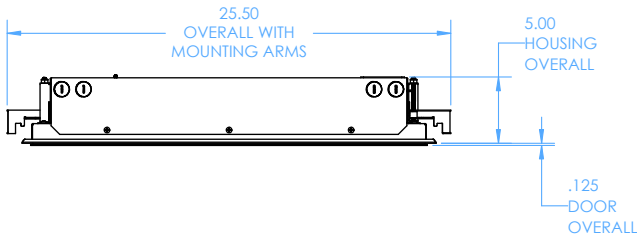
BHT vHealth® Behavioral Health Troffer

Recessed Luminaire 4000-25000 Lumens

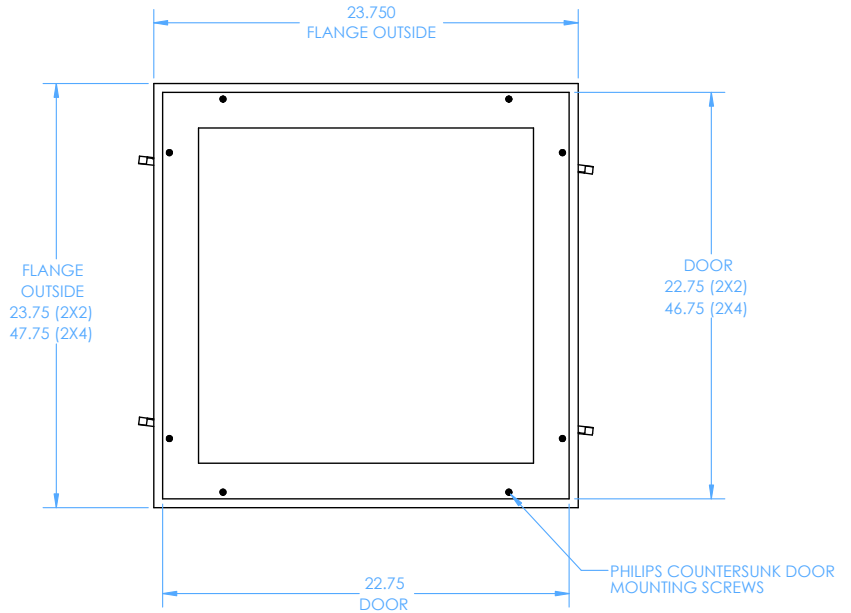
Dimensional Data

CEILING CUTOUT		
1 x 4	47"	11"
2X2	23"	23"
2X4	47"	23"

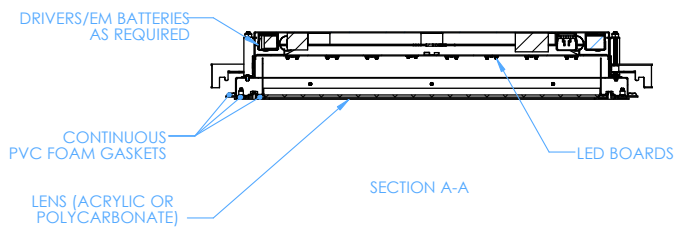
Side View



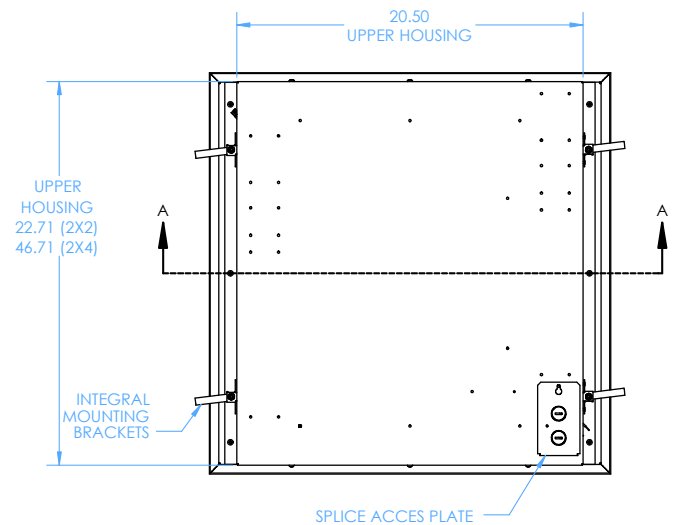
Front View



End View



Rear View



Vantage reserves the right to change components, finishes or design details in any manner which does not alter the installed appearance or reduce performance and intended function.

vHealth® is a registered trademark of Lexington Lighting Group, LLC dba Vantage Lighting

Performance Data Table

<i>model</i>	<i>lumens</i>	<i>lm/W</i>	<i>watts</i>
BHT14L-Y40W-30K	4011	110.9	36.2
BHT14L-Y40W-35K	4124	114.0	36.2
BHT14L-Y40W-40K	4257	117.7	36.2
BHT14L-Y40W-50K	4257	117.7	36.2
BHT14L-Y65W-30K	6825	110.1	62.0
BHT14L-Y65W-35K	7171	115.7	62.0
BHT14L-Y65W-40K	7240	116.8	62.0
BHT14L-Y65W-50K	7448	120.1	62.0
BHT14L-Y90W-30K	9451	107.6	87.8
BHT14L-Y90W-35K	9718	110.6	87.8
BHT14L-Y90W-40K	10030	114.2	87.8
BHT14L-Y90W-50K	10030	114.2	87.8
BHT22L-Y35W-30K	3881	114.1	34.0
BHT22L-Y35W-35K	3991	117.3	34.0
BHT22L-Y35W-40K	4119	121.1	34.0
BHT22L-Y35W-50K	4119	121.1	34.0
BHT22L-Y65W-30K	6875	112.3	61.2
BHT22L-Y65W-35K	7070	115.5	61.2
BHT22L-Y65W-40K	7297	119.2	61.2
BHT22L-Y65W-50K	7297	119.2	61.2
BHT22L-Y95W-30K	10384	111.0	93.5
BHT22L-Y95W-35K	10678	114.2	93.5
BHT22L-Y95W-40K	11021	117.8	93.5
BHT22L-Y95W-50K	11021	117.8	93.5
BHT24L-Y45W-30K	5150	116.2	44.3
BHT24L-Y45W-35K	5295	119.5	44.3
BHT24L-Y45W-40K	5465	123.3	44.3
BHT24L-Y45W-50K	5465	123.3	44.3
BHT24L-Y90W-30K	10013	113.0	88.6
BHT24L-Y90W-35K	10296	116.2	88.6
BHT24L-Y90W-40K	10627	119.9	88.6
BHT24L-Y90W-50K	10627	119.9	88.6
BHT24L-Y140W-30K	15619	111.8	139.8
BHT24L-Y140W-35K	16061	114.9	139.8
BHT24L-Y140W-40K	16577	118.6	139.8
BHT24L-Y140W-50K	16577	118.6	139.8

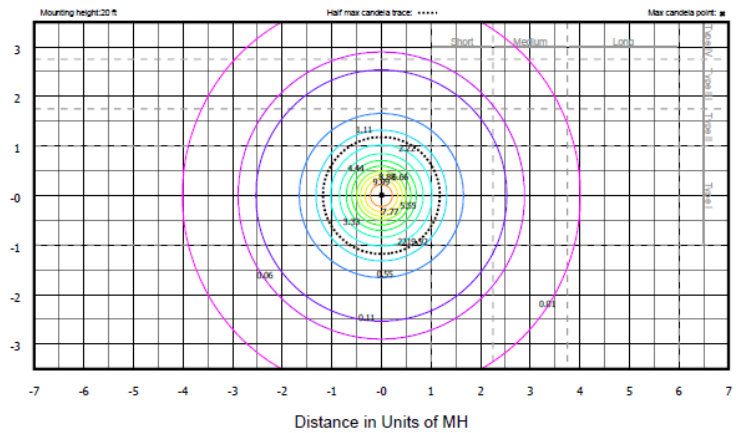
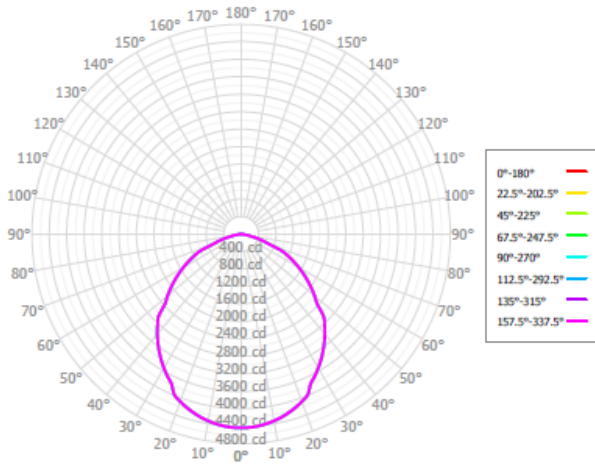
Vantage reserves the right to change components, finishes or design details in any manner which does not alter the installed appearance or reduce performance and intended function.

vHealth® is a registered trademark of Lexington Lighting Group, LLC dba Vantage Lighting

Luminaire Summary

BHT-22L-Y115W-D1MV-30K

Illuminance - Cone Of Light Isoillumination Plot



Vantage reserves the right to change components, finishes or design details in any manner which does not alter the installed appearance or reduce performance and intended function.
vHealth® is a registered trademark of Lexington Lighting Group, LLC dba Vantage Lighting