

Part #	Prepared By
Project	Notes
Type	
Date	



SUR vHealth® Medical Surgical Troffer

Recessed Luminaire 8000-22000 Lumens



Description

vHealth® SUR luminaires are made with cold rolled, 20 gauge steel. Luminaire body finish is high reflectance antimicrobial baked white enamel. Wiring knockouts are provided on the back and sides of housing. One piece door frame with diffused lens secures to housing with stainless steel screws. This specification grade fixture provides smooth and uniform high lumen ambient lighting for surgical rooms in hospitals with recessed ceilings. Housing and door frame feature continuous extruded PVC foam gasket to provide seal from below ceiling plane when mounted in rigid ceilings.

Warranty & Notes

ELECTRICAL SYSTEM

- 8000 - 22000 lumens
- 3000K - 5000K CCT
- 80 CRI (+90 CRI optional)
- Standard 0-10V dimming driver, optional drivers available
- 120V-277V Input Volts
- Minimum 50,000 hour lifetime at L70

OPTICS & OPTIONS

- Frosted acrylic diffuser 0.125" spreads light to allow for a smooth even glow
- Optional polycarbonate diffused lens
- Optional tamper resistant screws
- Easy to clean
- Optional **GREEN** in various lumen configurations

Frame and Mounting

- 20 gauge cold rolled steel for standard 1" T-bar grid mounting or rigid ceilings
- Multiple 7/8" knockouts and standard access cover allow for easy wiring and installation
- One piece door frame engineered with seamless construction
- Optional access door to plenum 2x4 size ONLY

Listings

- ETL certified to UL 1598
- Tested according to LM-79 standards
- Rated dry and damp locations
- IP65 rated, dust and water protection below ceiling plane when installed in rigid ceiling.
- Buy American Act (BAA)
- Tested to MIL-STD-461G standards

Warranty & Notes

- 5-year limited warranty on LED module and driver
- Insulation cannot be in direct contact with luminaire

Ordering Information

EXAMPLE: SUR-22L-Y70W-DMV-40K-AMWH

Series	Size	Wattage	Driver	Kelvin (CCT)	Finish*	Options*
SUR	14L - 11.75"W X 47.75"L	GRNxx - GREEN Y45W - 5000 Lumens Y90W - 10000 Lumens	DMV 0-10V Dimming DIMV 0-10V Dimming Dim to 1% G120 ELV/Triac Dimming at 120V only	80CRI 30K - 3000K 35K - 3500K 40K - 4000K 50K - 5000K	BLANK - Antimicrobial Paint White Finish AMBK - Antimicrobial Paint Black Finish AMxx - Antimicrobial Paint Custom Finish	WP5W WP6W EM14 EM20 ASYM ACSS
	22L - 23.75"W X 23.75"L	GRNxx - GREEN Y70W - 8000 Lumens Y80W - 10000 Lumens Y115W - 13000 Lumens		90CRI 930K - 3000K 935K - 3500K 940K - 4000K 950K - 5000K		
	24L - 23.75"W X 47.75"L	GRNxx - GREEN Y120W - 15000 Lumens Y145W - 18000 Lumens Y200W - 22000 Lumens				

*Options Notes

WP5W - 6ft. 5 wire 18 gauge whip
 WP6W - 6ft. 6 wire 18 gauge whip (dimming EM)
 EM14 - 14W Emergency battery backup
 EM20 - 20W Emergency battery backup (remote only)
 ASYM - Asymetrical distribution
 ACSS - Plenum access door 2x4 ONLY

*GREEN Notes

14L GRNxx - 33, 66, 10 percentage of GREEN to WHITE 10=100%
 22L GRNxx - 25, 50, 75, 10 percentage of GREEN to WHITE 10=100%
 24L GRNxx - 25, 50, 75, 10 percentage of GREEN to WHITE 10=100%
 Refer to lumen table below for specific values

Vantage reserves the right to change components, finishes or design details in any manner which does not alter the installed appearance or reduce performance and intended function.

vHealth® is a registered trademark of Lexington Lighting Group, LLC dba Vantage Lighting

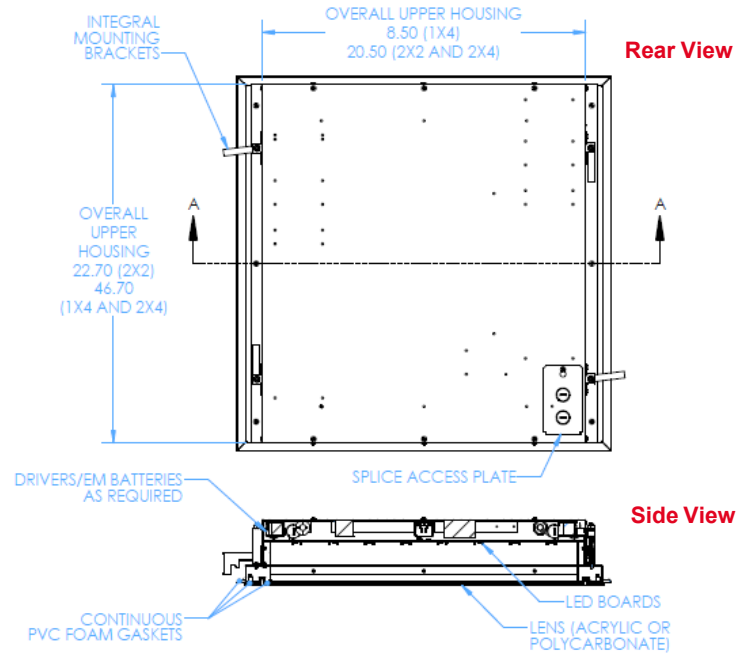
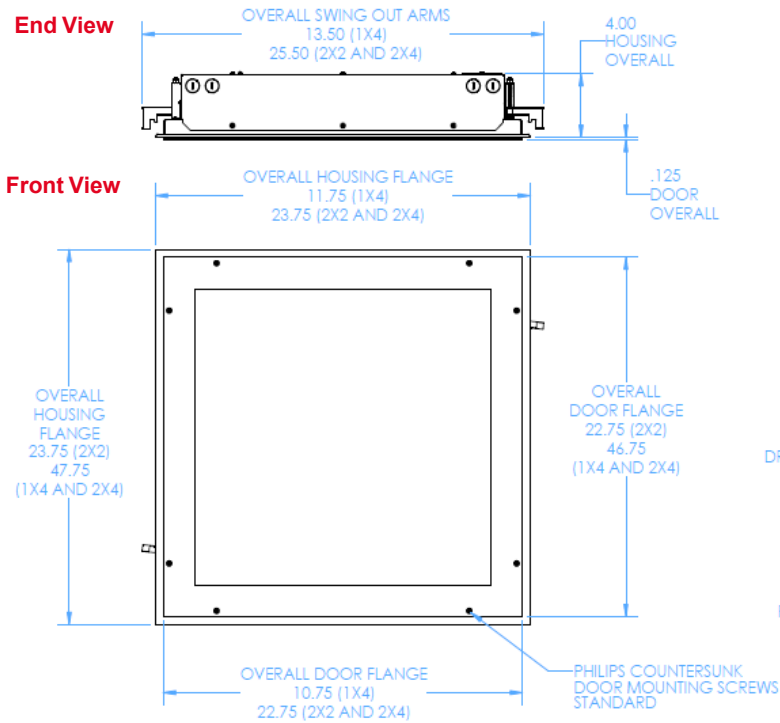
SUR vHealth® Medical Surgical Troffer

Recessed Luminaire 8000-22000 Lumens

Dimensional Data

CEILING CUTOUT

FIXTURE SIZE	LENGTH	WIDTH
1x4	47"	11"
2X2	23"	23"
2X4	47"	23"



CEILING CUTOUT

FIXTURE SIZE	LENGTH	WIDTH
1X4	47"	11"
2X2	23"	23"
2X4	47"	23"

Vantage reserves the right to change components, finishes or design details in any manner which does not alter the installed appearance or reduce performance and intended function.

vHealth® is a registered trademark of Lexington Lighting Group, LLC dba Vantage Lighting

SUR vHealth® Medical Surgical Troffer

Recessed Luminaire 8000-22000 Lumens

vHealth®
LIGHTING

Performance Data Table

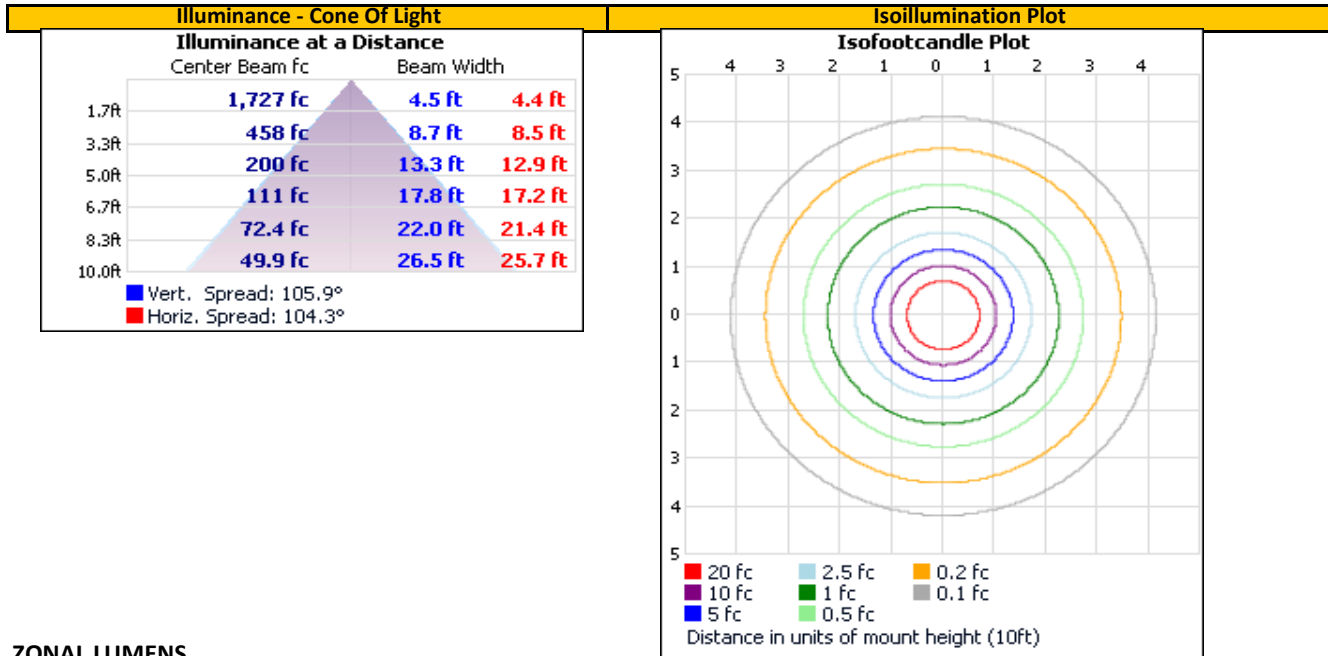
SUR Series			
Performance Data Table			
<i>model</i>	<i>lumens</i>	<i>lm/W</i>	<i>watts</i>
SUR14L-Y45W-30K	4447	107.6	41.3
SUR14L-Y45W-35K	4698	113.7	41.3
SUR14L-Y45W-40K	4849	117.3	41.3
SUR14L-Y45W-50K	4849	117.3	41.3
SUR14L-Y90W-30K	9451	107.6	87.8
SUR14L-Y90W-35K	9718	110.6	87.8
SUR14L-Y90W-40K	10030	114.2	87.8
SUR14L-Y90W-50K	10030	114.2	87.8
SUR22L-Y70W-30K	7624	112.1	68.0
SUR22L-Y70W-35K	7839	115.2	68.0
SUR22L-Y70W-40K	8091	118.9	68.0
SUR22L-Y70W-50K	8091	118.9	68.0
SUR22L-Y80W-30K	8744	111.8	78.2
SUR22L-Y80W-35K	8991	114.9	78.2
SUR22L-Y80W-40K	9280	118.6	78.2
SUR22L-Y80W-50K	9280	118.6	78.2
SUR22L-Y115W-30K	12672	109.6	115.7
SUR22L-Y115W-35K	13031	112.7	115.7
SUR22L-Y115W-40K	13449	116.3	115.7
SUR22L-Y115W-50K	13449	116.3	115.7
SUR24L-Y120W-30K	13750	116.1	118.5
SUR24L-Y120W-35K	14139	119.4	118.5
SUR24L-Y120W-40K	14593	123.2	118.5
SUR24L-Y120W-50K	14593	123.2	118.5
SUR24L-Y145W-30K	16744	115.7	144.8
SUR24L-Y145W-35K	17218	118.9	144.8
SUR24L-Y145W-40K	17771	122.7	144.8
SUR24L-Y145W-50K	17771	122.7	144.8
SUR24L-Y200W-30K	20991	110.8	189.5
SUR24L-Y200W-35K	21585	113.9	189.5
SUR24L-Y200W-40K	22279	117.5	189.5
SUR24L-Y200W-50K	22279	117.5	189.5

Vantage reserves the right to change components, finishes or design details in any manner which does not alter the installed appearance or reduce performance and intended function.

vHealth® is a registered trademark of Lexington Lighting Group, LLC dba Vantage Lighting

Luminaire Summary

SUR-22L-Y115W-D1MV-30K



ZONAL LUMENS

Zonal Lumen Summary

Zone (°)	Lumens	Luminaire
0-30	3,777.9	28.5%
0-40	6,097.7	45.9%
0-60	10,512.0	79.2%
60-90	2,766.0	20.8%
70-100	1,199.8	9.0%
90-120	0.0	0.0%
0-90	13,278.0	100.0%
90-180	0.0	0.0%
0-180	13,278.0	100.0%

Zone (°)	Lumens	Total	Zone (°)	Lumens	Total
0-10	470.3	3.5%	90-100	0.0	0.0%
10-20	1331.2	10.0%	100-110	0.0	0.0%
20-30	1976.4	14.9%	110-120	0.0	0.0%
30-40	2319.8	17.5%	120-130	0.0	0.0%
40-50	2343.0	17.6%	130-140	0.0	0.0%
50-60	2071.3	15.6%	140-150	0.0	0.0%
60-70	1566.1	11.8%	150-160	0.0	0.0%
70-80	923.3	7.0%	160-170	0.0	0.0%
80-90	276.5	2.1%	170-180	0.0	0.0%

Performance Data Table GREEN

model	33% GREEN / 66% 40K			66% GREEN / 33% 40K			100% GREEN		
	lumens	lm/W	watts	lumens	lm/W	watts	lumens	lm/W	watts
SUR14L-Y45W-40K	4807	120.4	39.9	4770	128.1	37.2	4737	138.5	34.2
SUR14L-Y90W-40K	9200	106.9	86.1	8379	97.9	85.6	7566	89.3	84.7

model	25% GREEN / 75% 40K			50% GREEN / 50% 40K			75% GREEN / 25% 40K			100% GREEN		
	lumens	lm/W	watts	lumens	lm/W	watts	lumens	lm/W	watts	lumens	lm/W	watts
SUR22L-Y70W-40K	7852	117.9	66.6	7613	119.4	63.8	7375	120.1	61.4	7136	119.9	59.5
SUR22L-Y80W-40K	8907	115.7	77.0	8535	113.6	75.1	8162	112.1	72.8	7790	108.2	72.0
SUR22L-Y115W-40K	12623	109.8	114.9	11798	106.4	110.8	10972	96.3	113.9	10146	95.7	106.0
SUR24L-Y140W-40K	14448	120.8	119.6	14303	124.0	115.4	14157	122.4	115.7	14012	124.8	112.3
SUR24L-Y155W-40K	17291	115.8	149.3	16810	116.2	144.7	16330	111.1	147.0	15849	109.6	144.6
SUR24L-Y220W-40K	21325	112.8	189.0	20372	106.6	191.0	19418	101.9	190.5	18465	95.9	192.5

Vantage reserves the right to change components, finishes or design details in any manner which does not alter the installed appearance or reduce performance and intended function.

vHealth® is a registered trademark of Lexington Lighting Group, LLC dba Vantage Lighting