

6" Round, vHealth® MRI Adjustable

Enclosed, LED Downlight, MRI, 750-7000 Lumens



Description

vHealth® MRI luminaires are made with non-ferrous metals to ensure safe and reliable operation in medical imaging suites. Separate light module and fixture housings enable easy installation of the remote power supply. vHealth® MRI lights come standard with antimicrobial trim finishes to help mitigate infection risks throughout medical facilities. Optional EMI Filters available for turnkey solution. Made with regressed lenses, lensed vHealth® MRI recessed downlights are easy to clean and provide high quality light. Adjustable beam allows light to be directed where it is needed.

Warranty & Notes

ELECTRICAL SYSTEM

- 750 - 7000 lumens
- 2700K - 5000K CCT
- 80 CRI with 3 SDCM color consistency (+90 CRI optional)
- Standard 0-10V 1% dimming driver; optional drivers available
- 120 - 277V
- Minimum 50,000 hour lifetime at L70
- -20°C to 30°C Ambient Operating Temperature Range
- Optional 2-Port & 4-Port EMI filters

OPTICS

- Precision spun architectural-grade reflector with regressed lens
- Polycarbonate, Glass and Acrylic lens options
- Reflectors available in Alzak® and painted finishes; Antimicrobial standard
- Distribution is free of streaks, striations and hotspots
- Medium distribution
- Easy to clean

FRAME & MOUNTING

- Non-Ferrous frame with integrated junction box featuring hinged access covers with spring retaining latches
- Remote mount driver frame with integrated junction box featuring hinged access covers with spring retaining latches
- Vertically adjustable rigid formed mounting brackets that accept a variety of mounting bars with auxiliary nail holes and T-bar slots
- T-Bars included, suitable for joist spacing from 12" to 24"
- Supports straight conduit runs - (3) 3/4" knockouts
- Through branch wiring - (8) #12 AWG (4 in, 4 out), 90°C conductors
- Accessibility to all LED components from below ceiling
- Flush to the ceiling reflectors, secured by high quality friction clips

Listings

- ETL certified to UL 1598 and UL8750 requirements
- Tested according to LM-79 and LM-80 standards
- Energy Star® certified versions available (see Vantage Energy Star® guide for details)
- Suitable for damp locations; Wet location under covered ceiling
- Buy American Act

Warranty & Notes

- 5-year limited warranty on LED module and driver, www.vantageltg.com/product-warranty
- Photometric tests performed by an accredited NVLP facility and in accordance to IESNA LM-79-2008 testing procedures
- Insulation cannot be in direct contact with luminaire

Ordering Information

EXAMPLE: V6EVHMRIADJU-1130K-MRI6011-SGC-AM-TDM

Series	Voltage	Lumens	Kelvin (CCT)	Reflector	Antimicrobial Finishes	Options**
V6EVHMRIADJ	U - 120V-277V 1 - 120V 2 - 277V <small>*Must provide voltage when optional drivers are selected.</small>	07 - 750 11 - 1100 15 - 1500 20 - 2000 30 - 3000 40 - 4000 50 - 5000 60 - 6000 70 - 7000	27K - 2700K 30K - 3000K 35K - 3500K 40K - 4000K 50K - 5000K	MRI6030	SCL-AM Specular Clear Antimicrobial SGC-AM Soft Glow Clear Antimicrobial WHT-AM White Matte Antimicrobial <small>*All trims supplied standard with white painted flange.</small>	VEM12 VEM14 DTD TDM LDE1 LDE5 PEQ0 HCR PF EM-17 EM-20

*Reflector Notes

MRIL6030 - Vertical adjustment open reflector

*Options Notes

VEM12 - 2-Port EMI Filter
 VEM14 - 4-Port EMI Filter
 DTD - 0-10V 0.1% dimming driver. Not available above 4000 lumens.
 TDM - Triac (Forward Phase, 120V only) dimming driver. Not available above 5000 lumens.
 DL-2 - Lutron 2-Wire Hi-Lume dimming driver. Not available above 3000 lumens.
 DL-3 - Lutron 3 wire Hi-Lume dimming driver. Not available above 3000 lumens.
 LDE1 - Lutron Hi-Lume 1% with Soft-On, Fade-to-Black dimming driver. Not available above 4000 lumens.
 LDE5 - Lutron 5-Series 5% dimming driver. Not available above 4000 lumens.
 PEQ0 - Lutron Hi-Lume Premier 0.1% with Soft-On, Fade-to-Black dimming driver. Not available above 4000 lumens.
 HCR - High CRI, 90+ minimum. Not available in 5000 Kelvin.
 PF - Polished Flange
 EM-17 - Emergency battery back-up. Remote test button & indicator light. For 750-5000 lumen luminaires.
 EM-20 - Emergency batter back-up. Remote test button & indicator light. For 6000 & 7000 lumen luminaires.

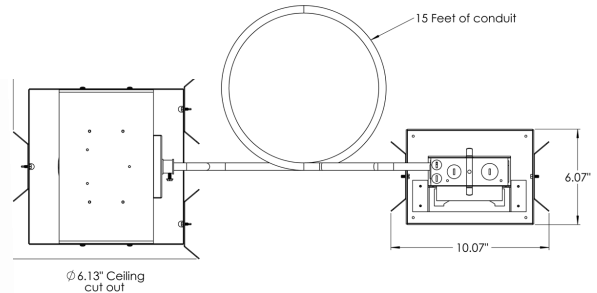
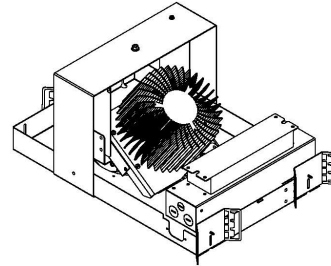
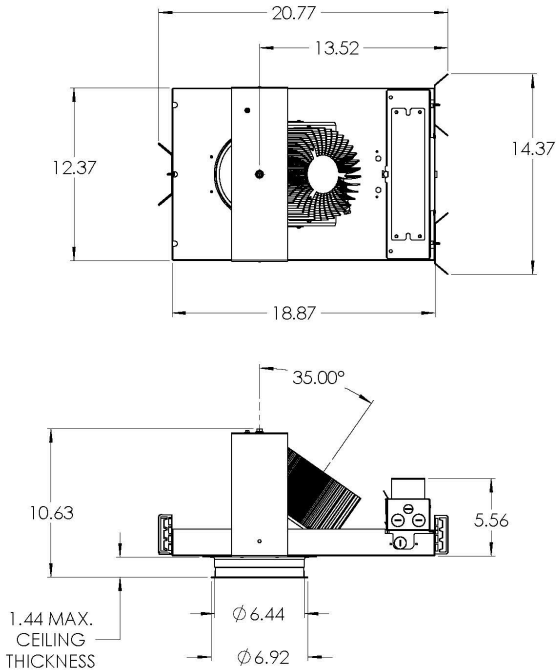
Vantage reserves the right to change components, finishes or design details in any manner which does not alter the installed appearance or reduce performance and intended function.

vHealth® is a registered trademark of Lexington Lighting Group, LLC dba Vantage Lighting

6" Round, Lensed vHealth® MRI Adjustable

Enclosed, LED Downlight, MRI, 750-7000 Lumens

Dimensional Data



RECOMMENDED CEILING CUTOUT = 6.50"

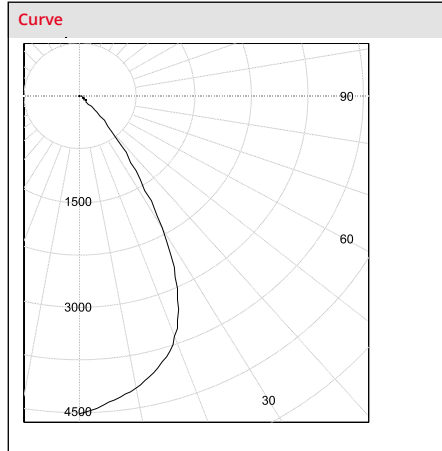
Photometry

Model
V6EVHMRIADJU-5035K-MRI6011-SCL-AM

Lumens
4095

Efficacy
70.2

SC
0.99



Candela Table		
Degrees Vertical	Candela	
0.0	4504	52.5 82
2.5	4465	55.0 74
5.0	4378	57.5 69
7.5	4303	60.0 65
10.0	4221	62.5 64
12.5	4124	65.0 63
15.0	4002	67.5 59
20.0	3646	70.0 55
22.5	3371	72.5 53
25.0	3019	75.0 47
27.5	2631	77.5 28
30.0	2158	80.0 1
32.5	1670	82.5 0
35.0	1279	85.0 0
37.5	950	87.5 0
40.0	658	90.0 0
42.5	428	92.5 0
45.0	253	95.0 0
47.5	139	97.5 0
50.0	96	100.0 0

Zonal Lumen Summary		
Zone	Lumens	% Luminaire
0-30	2693	70.6
0-40	3704	90.5
0-60	3993	97.5
0-90	4095	100.0
40-90	391	9.5
60-90	102	2.5
90-180	0	0.0
0-180	4095	100.0

VANTAGE LIGHTING F-CLASS GEN V Multipliers					
CRI	MULTIPLIER	KELVIN	MULTIPLIER	FINISH	MULTIPLIER
80	1	5000K	1.098	SCL	1
90	0.81	4000K	1.035	SGC	0.95
		3500K	1	WHT	0.87
		3000K	0.975		
		2700K	0.939		

Vantage reserves the right to change components, finishes or design details in any manner which does not alter the installed appearance or reduce performance and intended function.

vHealth® is a registered trademark of Lexington Lighting Group, LLC dba Vantage Lighting



VEMI2 - 2-Port EMI Filter

VEMI4 - 4-Port EMI Filter

APPLICATIONS

- MRI Rooms

MATERIALS

- Steel Enclosure
- Steel Threaded Pipe
- Easy Connect Terminal Blocks

ELECTRICAL

- Calss II output 100W
- 3A / up to 40VDC

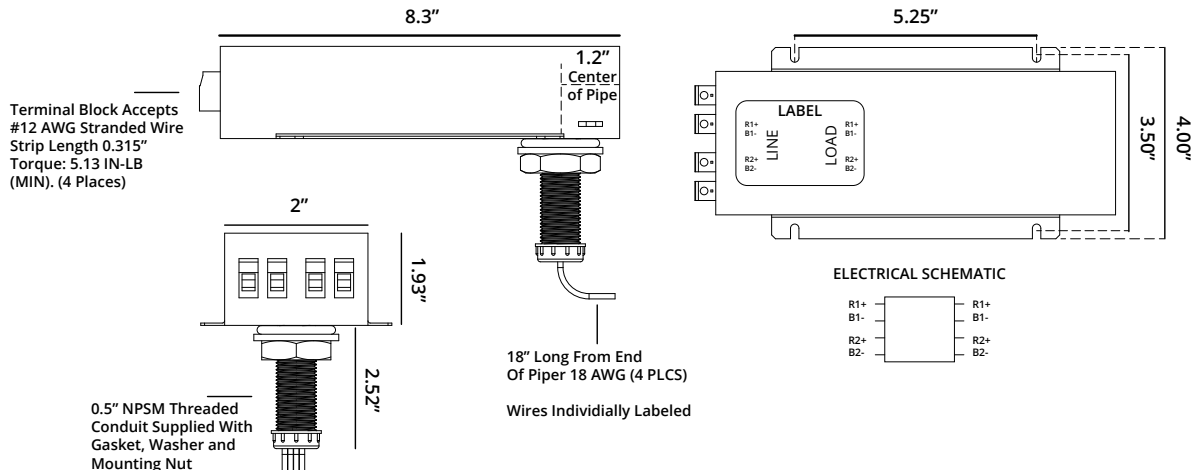
SPECIFICATIONS

- Filter provides >100dB attenuation between 10Khz - 1Ghz on 0-10V dimming circuits
- Operating temperature rating: -10°C to + 60°C

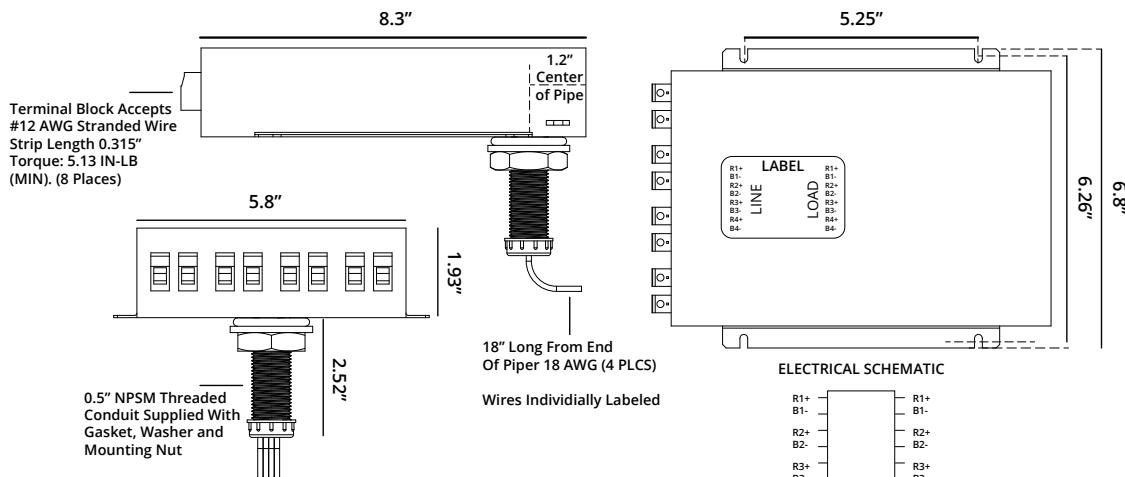
MECHANICAL (DIMENSIONS - INCHES)

PART NUMBER	DESCRIPTION	LENGTH	WIDTH	DEPTH
VEMI2	2-Port EMI Filter	8.70"	3.98"	1.93"
VEMI4	4-Port EMI Filter	8.70"	6.73"	1.93"

VEMI2 - 2-Port EMI Filter



VEMI4 - 4-Port EMI Filter



Vantage reserves the right to change components, finishes or design details in any manner which does not alter the installed appearance or reduce performance and intended function.

vHealth® is a registered trademark of Lexington Lighting Group, LLC dba Vantage Lighting