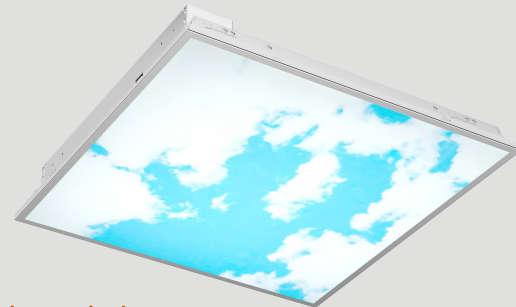


Part #	Prepared By
Project	Notes
Type	
Date	



SPM vHealth® Scenic Panel MRI Troffer

Recessed Luminaire 1500-4000 Lumens



Scenic Panel shown below

Description

vHealth® SPM luminaires are made with 20 gauge aluminum. Luminaire body finish is high reflectance antimicrobial baked white enamel. Wiring knockouts are provided on the back and sides of housing. One piece door frame with scenic lens secures to housing. This specification grade fixture provides smooth and uniform scenic ambient lighting for patient recovery spaces in healthcare facilities with rigid or grid ceilings.

FRAME & MOUNTING

- 20 gauge aluminum for standard 1" T-bar grid mounting or rigid ceilings with optional frame kits or shroud kits
- Multiple 7/8" knockouts and standard access cover allow for easy wiring and installation
- Supplied with 15' non ferrous conduit and driver box for remote mounting

Electrical & Optics

ELECTRICAL SYSTEM

- 1500 - 4000 lumens
- 3000K - 5000K CCT
- 80 CRI (+90 CRI optional)
- Standard 0-10V dimming driver, optional drivers available
- 120V-277V Input Volts
- Minimum 50,000 hour lifetime at L70

OPTICS & OPTIONS

- Scenic high impact diffuser spreads light to allow for a smooth even glow
- Scenic panel to sooth patient
- Easy to clean
- Optional Opaque White lens for general illumination

Listings

- ETL certified to UL 1598
- Tested according to LM-79 standards
- Rated dry and damp locations
- Buy American Act (BAA)

Warranty & Notes

- 5-year limited warranty on LED module and driver
- IC Rated. Insulation can be in direct contact with luminaire

Ordering Information

EXAMPLE: SPM-22L-Y35W-DMV-40K

SPM		-		-		-		-		
Series	Size		Wattage		Driver		Kelvin (CCT)		Finish*	Options*
SPM	22L - 23.75"W X 23.75"L		Y20W - 1500 Lumens		DMV 0-10V Dimming		80CRI		BLANK - Antimicrobial Paint White Finish	WP5W
			Y35W - 2500 Lumens		D1MV 0-10V Dimming Dim to 1%		30K - 3000K		AMBK - Antimicrobial Paint Black Finish	WP6W
			Y45W - 4000 Lumens		G120 ELV/Triac Dimming at 120V only		35K - 3500K		AMxx - Antimicrobial Paint Custom Finish	EM20
							40K - 4000K			WHT
							50K - 5000K			HCR
										FIK1X4 1X4 Frame-in-kit
										FIK2X2 2X2 Frame-in-kit
										FIK2X4 2X4 Frame-in-kit
										SHMOT1X4 1X4 Shroud kit
										SHMOT2X2 2X2 Shroud kit
										SHMOT2X4 2X4 Shroud kit

*Options Notes

WP5W - 6ft. 5 wire 18 gauge whip
 WP6W - 6ft. 6 wire 18 gauge whip (dimming EM)
 EM20- 20W Emergency battery backup (remote only)
 WHT - Opaque White lens

*BioSync(R) Notes

BCxxxW - BioSync(R) technology tunable white
 2700k - 5000k
 HCR - 90CRI

Vantage reserves the right to change components, finishes or design details in any manner which does not alter the installed appearance or reduce performance and intended function.

vHealth® is a registered trademark of Lexington Lighting Group, LLC dba Vantage Lighting

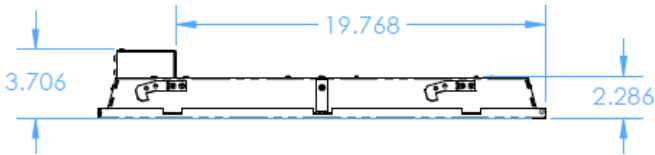
SPM vHealth® Scenic Panel MRI Troffer

Recessed Luminaire 1500-4000 Lumens

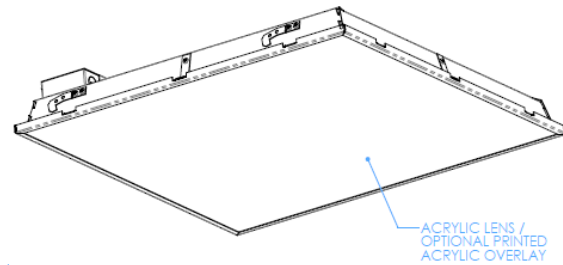
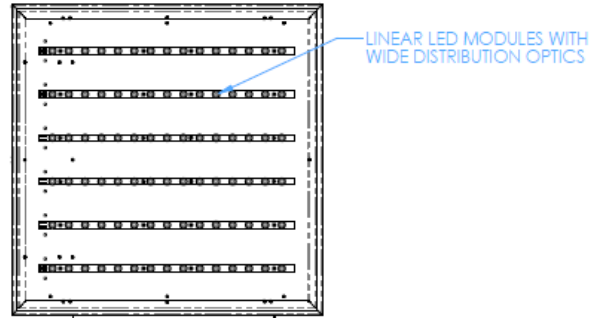
Dimensional Data

CEILING CUTOUT		
2X2	23"	23"

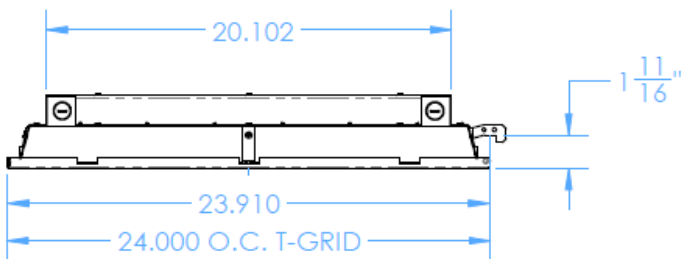
Side View



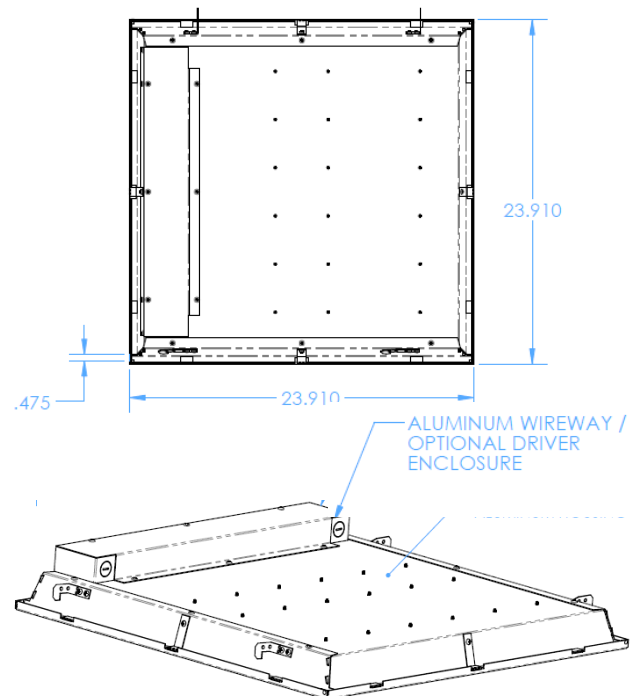
Front View



End View



Rear View



Vantage reserves the right to change components, finishes or design details in any manner which does not alter the installed appearance or reduce performance and intended function.

vHealth® is a registered trademark of Lexington Lighting Group, LLC dba Vantage Lighting

SPM vHealth® Scenic Panel Troffer

Recessed Luminaire 1500-4000 Lumens

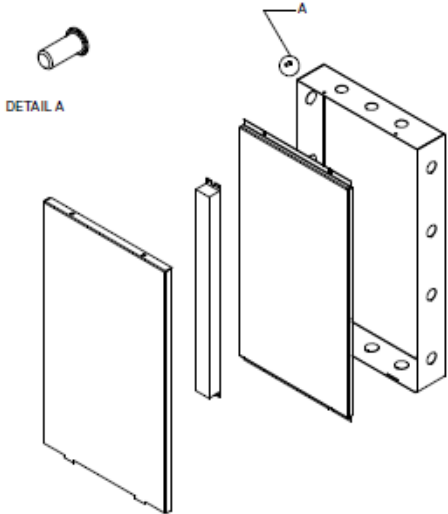
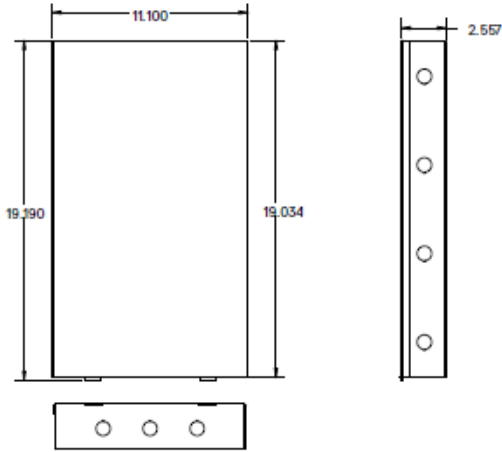
Scenic Panel



Other panel designs available. Contact your authorized vHealth(R) agent for alternate designs.

Remote Driver Box - #RDB6

Suggested maximum remote mounting distance is 15 feet.



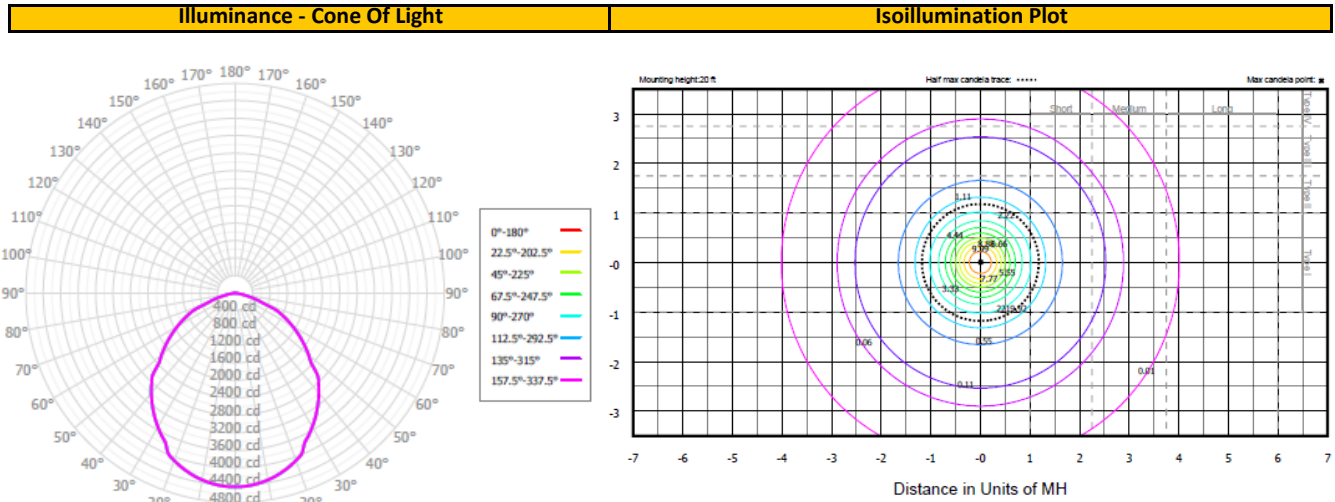
Vantage reserves the right to change components, finishes or design details in any manner which does not alter the installed appearance or reduce performance and intended function. vHealth® is a registered trademark of Lexington Lighting Group, LLC dba Vantage Lighting

SPM vHealth® Scenic Panel Troffer

Recessed Luminaire 1500-4000 Lumens

Luminance Summary

SPM-22L-Y55W-D1MV-30K



Vantage reserves the right to change components, finishes or design details in any manner which does not alter the installed appearance or reduce performance and intended function.
vHealth® is a registered trademark of Lexington Lighting Group, LLC dba Vantage Lighting