

|                |                    |
|----------------|--------------------|
| <b>Part #</b>  | <b>Prepared By</b> |
| <b>Project</b> | <b>Notes</b>       |
| <b>Type</b>    |                    |
| <b>Date</b>    |                    |



# SUR vHealth® Medical Surgical Troffer

Recessed Luminaire 8000-22000 Lumens



## Description

vHealth® SUR luminaires are made with cold rolled, 20 gauge steel. Luminaire body finish is high reflectance antimicrobial baked white enamel. Wiring knockouts are provided on the back and sides of housing. One piece door frame with diffused lens secures to housing with stainless steel screws. This specification grade fixture provides smooth and uniform high lumen ambient lighting for surgical rooms in hospitals with recessed ceilings. Housing and door frame feature continuous extruded PVC foam gasket to provide seal from below ceiling plane when mounted in rigid ceilings.

## Warranty & Notes

### ELECTRICAL SYSTEM

- 8000 - 22000 lumens
- 3000K - 5000K CCT
- 80 CRI (+90 CRI optional)
- Standard 0-10V dimming driver, optional drivers available
- 120V-277V Input Volts
- Minimum 50,000 hour lifetime at L70

### OPTICS & OPTIONS

- Frosted acrylic diffuser 0.125" spreads light to allow for a smooth even glow
- Optional polycarbonate diffused lens
- Optional tamper resistant screws
- Easy to clean
- Optional **GREEN** in various lumen configurations

## Frame and Mounting

- 20 gauge cold rolled steel for standard 1" T-bar grid mounting or rigid ceilings, optional 18ga construction. Specify when ordering
- Multiple 7/8" knockouts and standard access cover allow for easy wiring and installation
- One piece door frame engineered with seamless construction
- Optional access door to plenum 2x4 size ONLY

## Listings

- ETL certified to UL 1598
- Tested according to LM-79 standards
- Rated dry and damp locations
- IP65 rated, dust and water protection below ceiling plane when installed in rigid ceiling.
- Buy American Act (BAA)
- Tested to MIL-STD-461G standards

## Warranty & Notes

- 5-year limited warranty on LED module and driver
- Insulation cannot be in direct contact with luminaire

## Ordering Information

EXAMPLE: SUR-22L-Y70W-DMV-40K-AMWH

| Series | Size                    | Wattage   | Driver   | Kelvin (CCT)   | Finish*   | Options*   |
|--------|-------------------------|---|--|--|---|--|
| SUR    | 14L - 11.75"W X 47.75"L | GRNxx - GREEN<br>Y45W - 5000 Lumens<br>Y90W - 10000 Lumens                            | DMV 0-10V Dimming<br>DIMV 0-10V Dimming Dim to 1%<br>G120 ELV/Triac Dimming at 120V only | 80CRI<br>30K - 3000K<br>35K - 3500K<br>40K - 4000K<br>50K - 5000K<br><br>90CRI<br>930K - 3000K<br>935K - 3500K<br>940K - 4000K<br>950K - 5000K | BLANK - Antimicrobial Paint White Finish<br>AMBK - Antimicrobial Paint Black Finish<br>AMxx - Antimicrobial Paint Custom Finish | WP5W<br>WP6W<br>EM14<br>EM20<br>ASYM<br>ACSS<br>18GA |
|        | 22L - 23.75"W X 23.75"L | GRNxx - GREEN<br>Y70W - 8000 Lumens<br>Y80W - 10000 Lumens<br>Y115W - 13000 Lumens    |  |  |   |  |
|        | 24L - 23.75"W X 47.75"L | GRNxx - GREEN<br>Y120W - 15000 Lumens<br>Y145W - 18000 Lumens<br>Y200W - 22000 Lumens |  |  |   |  |

### \*Options Notes

WP5W - 6ft. 5 wire 18 gauge whip  
 WP6W - 6ft. 6 wire 18 gauge whip (dimming EM)  
 EM14 - 14W Emergency battery backup  
 EM20 - 20W Emergency battery backup (remote only)  
 ASYM - Asymmetrical distribution  
 ACSS - Plenum access door 2x4 ONLY  
 18GA - 18ga Steel construction

### \*GREEN Notes

14L GRNxx - 33, 66, 10 percentage of GREEN to WHITE 10=100%  
 22L GRNxx - 25, 50, 75, 10 percentage of GREEN to WHITE 10=100%  
 24L GRNxx - 25, 50, 75, 10 percentage of GREEN to WHITE 10=100%  
 Refer to lumen table below for specific values

Vantage reserves the right to change components, finishes or design details in any manner which does not alter the installed appearance or reduce performance and intended function.

vHealth® is a registered trademark of Lexington Lighting Group, LLC dba Vantage Lighting

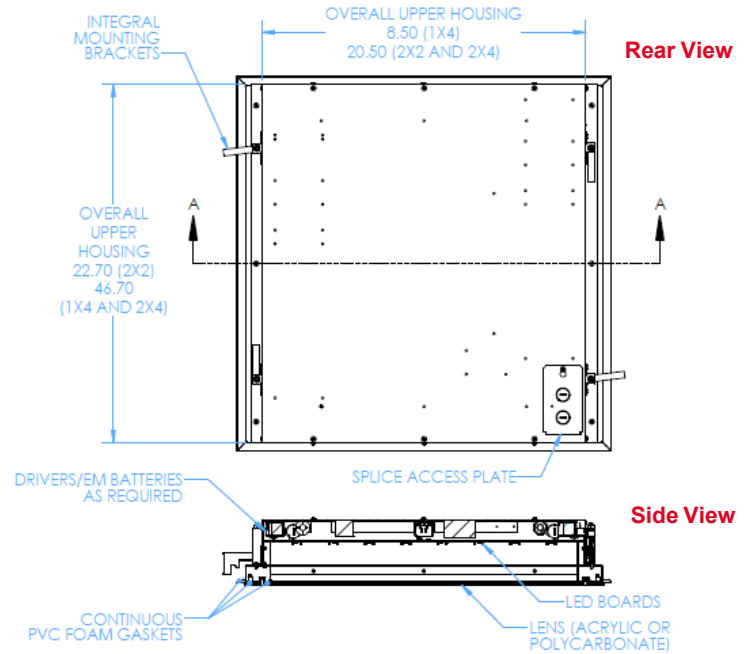
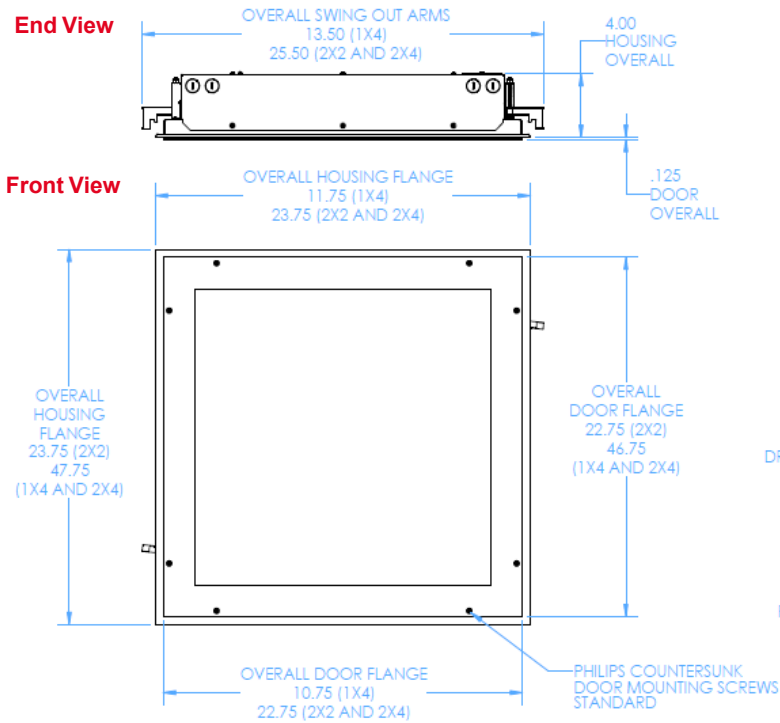
# SUR vHealth® Medical Surgical Troffer

Recessed Luminaire 8000-22000 Lumens

## Dimensional Data

### CEILING CUTOUT

| FIXTURE SIZE | LENGTH | WIDTH |
|--------------|--------|-------|
| 1x4          | 47"    | 11"   |
| 2X2          | 23"    | 23"   |
| 2X4          | 47"    | 23"   |



### CEILING CUTOUT

| FIXTURE SIZE | LENGTH | WIDTH |
|--------------|--------|-------|
| 1X4          | 47"    | 11"   |
| 2X2          | 23"    | 23"   |
| 2X4          | 47"    | 23"   |

Vantage reserves the right to change components, finishes or design details in any manner which does not alter the installed appearance or reduce performance and intended function.

vHealth® is a registered trademark of Lexington Lighting Group, LLC dba Vantage Lighting

# SUR vHealth® Medical Surgical Troffer

Recessed Luminaire 8000-22000 Lumens

Performance Data Table

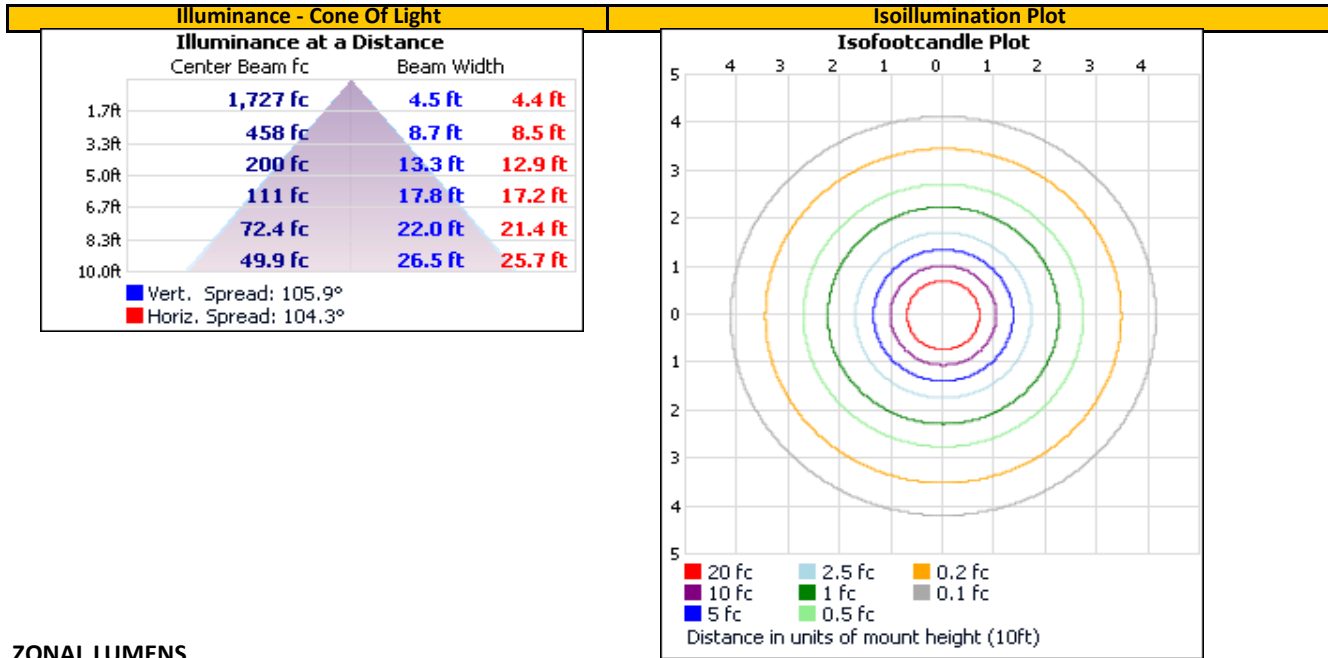
| <b>SUR Series</b>      |               |             |              |
|------------------------|---------------|-------------|--------------|
| Performance Data Table |               |             |              |
| <i>model</i>           | <i>lumens</i> | <i>lm/W</i> | <i>watts</i> |
| SUR14L-Y45W-30K        | 4447          | 107.6       | 41.3         |
| SUR14L-Y45W-35K        | 4698          | 113.7       | 41.3         |
| SUR14L-Y45W-40K        | 4849          | 117.3       | 41.3         |
| SUR14L-Y45W-50K        | 4849          | 117.3       | 41.3         |
| SUR14L-Y90W-30K        | 9451          | 107.6       | 87.8         |
| SUR14L-Y90W-35K        | 9718          | 110.6       | 87.8         |
| SUR14L-Y90W-40K        | 10030         | 114.2       | 87.8         |
| SUR14L-Y90W-50K        | 10030         | 114.2       | 87.8         |
| SUR22L-Y70W-30K        | 7624          | 112.1       | 68.0         |
| SUR22L-Y70W-35K        | 7839          | 115.2       | 68.0         |
| SUR22L-Y70W-40K        | 8091          | 118.9       | 68.0         |
| SUR22L-Y70W-50K        | 8091          | 118.9       | 68.0         |
| SUR22L-Y80W-30K        | 8744          | 111.8       | 78.2         |
| SUR22L-Y80W-35K        | 8991          | 114.9       | 78.2         |
| SUR22L-Y80W-40K        | 9280          | 118.6       | 78.2         |
| SUR22L-Y80W-50K        | 9280          | 118.6       | 78.2         |
| SUR22L-Y115W-30K       | 12672         | 109.6       | 115.7        |
| SUR22L-Y115W-35K       | 13031         | 112.7       | 115.7        |
| SUR22L-Y115W-40K       | 13449         | 116.3       | 115.7        |
| SUR22L-Y115W-50K       | 13449         | 116.3       | 115.7        |
| SUR24L-Y120W-30K       | 13750         | 116.1       | 118.5        |
| SUR24L-Y120W-35K       | 14139         | 119.4       | 118.5        |
| SUR24L-Y120W-40K       | 14593         | 123.2       | 118.5        |
| SUR24L-Y120W-50K       | 14593         | 123.2       | 118.5        |
| SUR24L-Y145W-30K       | 16744         | 115.7       | 144.8        |
| SUR24L-Y145W-35K       | 17218         | 118.9       | 144.8        |
| SUR24L-Y145W-40K       | 17771         | 122.7       | 144.8        |
| SUR24L-Y145W-50K       | 17771         | 122.7       | 144.8        |
| SUR24L-Y200W-30K       | 20991         | 110.8       | 189.5        |
| SUR24L-Y200W-35K       | 21585         | 113.9       | 189.5        |
| SUR24L-Y200W-40K       | 22279         | 117.5       | 189.5        |
| SUR24L-Y200W-50K       | 22279         | 117.5       | 189.5        |

Vantage reserves the right to change components, finishes or design details in any manner which does not alter the installed appearance or reduce performance and intended function.

vHealth® is a registered trademark of Lexington Lighting Group, LLC dba Vantage Lighting

## Luminaire Summary

### SUR-22L-Y115W-D1MV-30K



## ZONAL LUMENS

### Zonal Lumen Summary

| Zone (°) | Lumens   | Luminaire |
|----------|----------|-----------|
| 0-30     | 3,777.9  | 28.5%     |
| 0-40     | 6,097.7  | 45.9%     |
| 0-60     | 10,512.0 | 79.2%     |
| 60-90    | 2,766.0  | 20.8%     |
| 70-100   | 1,199.8  | 9.0%      |
| 90-120   | 0.0      | 0.0%      |
| 0-90     | 13,278.0 | 100.0%    |
| 90-180   | 0.0      | 0.0%      |
| 0-180    | 13,278.0 | 100.0%    |

| Zone (°) | Lumens | Total | Zone (°) | Lumens | Total |
|----------|--------|-------|----------|--------|-------|
| 0-10     | 470.3  | 3.5%  | 90-100   | 0.0    | 0.0%  |
| 10-20    | 1331.2 | 10.0% | 100-110  | 0.0    | 0.0%  |
| 20-30    | 1976.4 | 14.9% | 110-120  | 0.0    | 0.0%  |
| 30-40    | 2319.8 | 17.5% | 120-130  | 0.0    | 0.0%  |
| 40-50    | 2343.0 | 17.6% | 130-140  | 0.0    | 0.0%  |
| 50-60    | 2071.3 | 15.6% | 140-150  | 0.0    | 0.0%  |
| 60-70    | 1566.1 | 11.8% | 150-160  | 0.0    | 0.0%  |
| 70-80    | 923.3  | 7.0%  | 160-170  | 0.0    | 0.0%  |
| 80-90    | 276.5  | 2.1%  | 170-180  | 0.0    | 0.0%  |

### Performance Data Table GREEN

| model           | 33% GREEN / 66% 40K |       |       | 66% GREEN / 33% 40K |       |       | 100% GREEN |       |       |
|-----------------|---------------------|-------|-------|---------------------|-------|-------|------------|-------|-------|
|                 | lumens              | lm/W  | watts | lumens              | lm/W  | watts | lumens     | lm/W  | watts |
| SUR14L-Y45W-40K | 4807                | 120.4 | 39.9  | 4770                | 128.1 | 37.2  | 4737       | 138.5 | 34.2  |
| SUR14L-Y90W-40K | 9200                | 106.9 | 86.1  | 8379                | 97.9  | 85.6  | 7566       | 89.3  | 84.7  |

| model            | 25% GREEN / 75% 40K |       |       | 50% GREEN / 50% 40K |       |       | 75% GREEN / 25% 40K |       |       | 100% GREEN |       |       |
|------------------|---------------------|-------|-------|---------------------|-------|-------|---------------------|-------|-------|------------|-------|-------|
|                  | lumens              | lm/W  | watts | lumens              | lm/W  | watts | lumens              | lm/W  | watts | lumens     | lm/W  | watts |
| SUR22L-Y70W-40K  | 7852                | 117.9 | 66.6  | 7613                | 119.4 | 63.8  | 7375                | 120.1 | 61.4  | 7136       | 119.9 | 59.5  |
| SUR22L-Y80W-40K  | 8907                | 115.7 | 77.0  | 8535                | 113.6 | 75.1  | 8162                | 112.1 | 72.8  | 7790       | 108.2 | 72.0  |
| SUR22L-Y115W-40K | 12623               | 109.8 | 114.9 | 11798               | 106.4 | 110.8 | 10972               | 96.3  | 113.9 | 10146      | 95.7  | 106.0 |
| SUR24L-Y140W-40K | 14448               | 120.8 | 119.6 | 14303               | 124.0 | 115.4 | 14157               | 122.4 | 115.7 | 14012      | 124.8 | 112.3 |
| SUR24L-Y155W-40K | 17291               | 115.8 | 149.3 | 16810               | 116.2 | 144.7 | 16330               | 111.1 | 147.0 | 15849      | 109.6 | 144.6 |
| SUR24L-Y220W-40K | 21325               | 112.8 | 189.0 | 20372               | 106.6 | 191.0 | 19418               | 101.9 | 190.5 | 18465      | 95.9  | 192.5 |

Vantage reserves the right to change components, finishes or design details in any manner which does not alter the installed appearance or reduce performance and intended function.

vHealth® is a registered trademark of Lexington Lighting Group, LLC dba Vantage Lighting