

Part #	Prepared By
Project	Notes
Type	
Date	



# VW44SQ Wall Sconce MRI

LED Architectural Luminaire 1000 - 2000 Lumens



## Description

The vHealth® Wall Sconce luminaire is a wall mounted luminaire that provides a soft architectural look to provide comfortable, bright general lighting. LEXAN frosted lens hides the LED arrays and provides excellent glare control. The luminaire non-ferrous construction with remote driver mount makes this the perfect ambient lighting solution for MRI spaces.

### FRAME & MOUNTING

- System delivered lumen : 1000 - 2000 lumens
- 80 CRI , 90+ CRI available
- Standard 0-10V dimming driver to 10%
- 120V-277V Input Volts
- Minimum 50,000 hour lifetime at L70
- Ambient Temperature Temperature:-20 ~ 40 °C( -22 °F to +104°F)
- Surge protector
- Power factor: >0.9

### FRAME & MOUNTING

- Post paint non-ferrous aluminum white. Other colors optional
- White painted parts are treated with a five-stage phosphate bonding process and finished with high reflectance baked enamel.
- Acrylic translucent diffuser is snapped into housing.
- White anti-microbial paint standard
- Easy to clean

### Warranty & Notes

- 5-year limited warranty on LED module and driver
- ETL tested and listed to UL 1598 standards

### OPTICS & OPTIONS

- LEXAN translucent diffuser
- Emergency battery backup

## Ordering Information

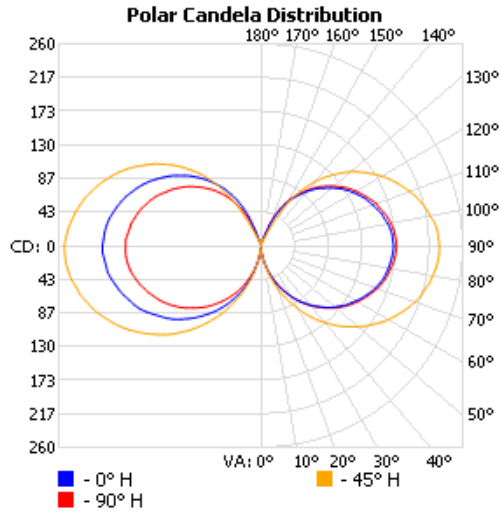
EXAMPLE: VW44SQLEDMRIU-19W-DMV-30K

Series	Mounting	Lightsource	Construction	Wattage	Driver	Kelvin (CCT)	Finish	Options*
VW44SQ	(blank) - Wall Mount	LED	MRIU- non ferrous 120-277v Universal	10W - 1000 Lumens 19W - 2000 Lumens	DMV - 0-10V Dimming D1MV - 0-10V Dimming <1% G120 -TRIAC dimming	80CRI 30K - 3000K 35K - 3500K 40K - 4000K 90+ CRI 930K - 3000K 935K - 3500K 940K - 4000K	(blank) - Antimicrobial Paint White AMxx - Antimicrobial Custom Color	EM

\*Notes  
EM - Emergency Battery Backup

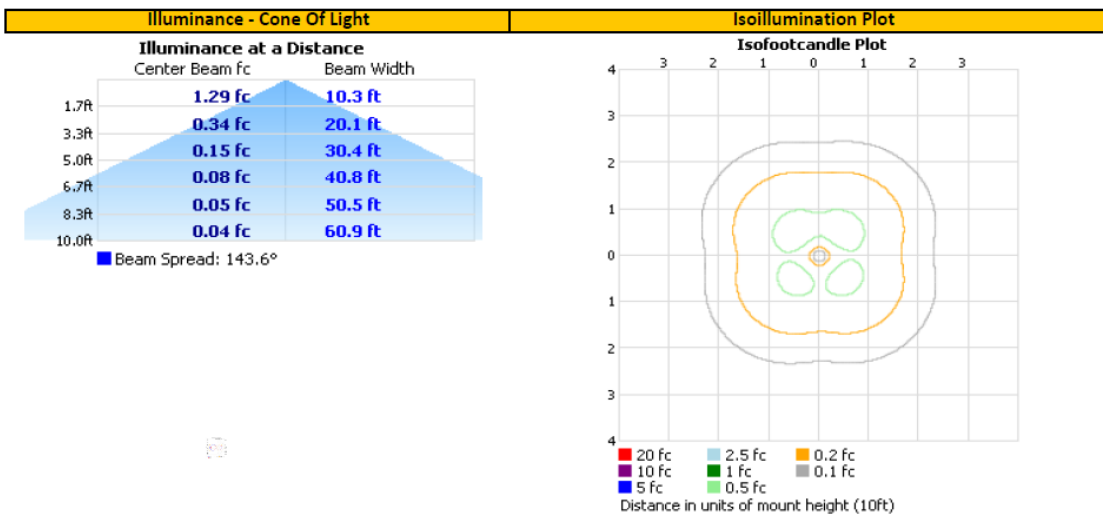
Photometric

### Luminous Intensity Distribution Curve



Luminaire	4000K
Input Voltage(VAC)	120-277V
Power (W) Delivered	18.4 W
Lumen(Lm)	1938.9 Lm
Efficacy(Lm/W) Beam	105.4 Lm/W
Power Factor(PF)	>90
Color Rendering Index(CRI)	>80

### ILLUMINANCE SUMMARY



### ZONAL LUMENS

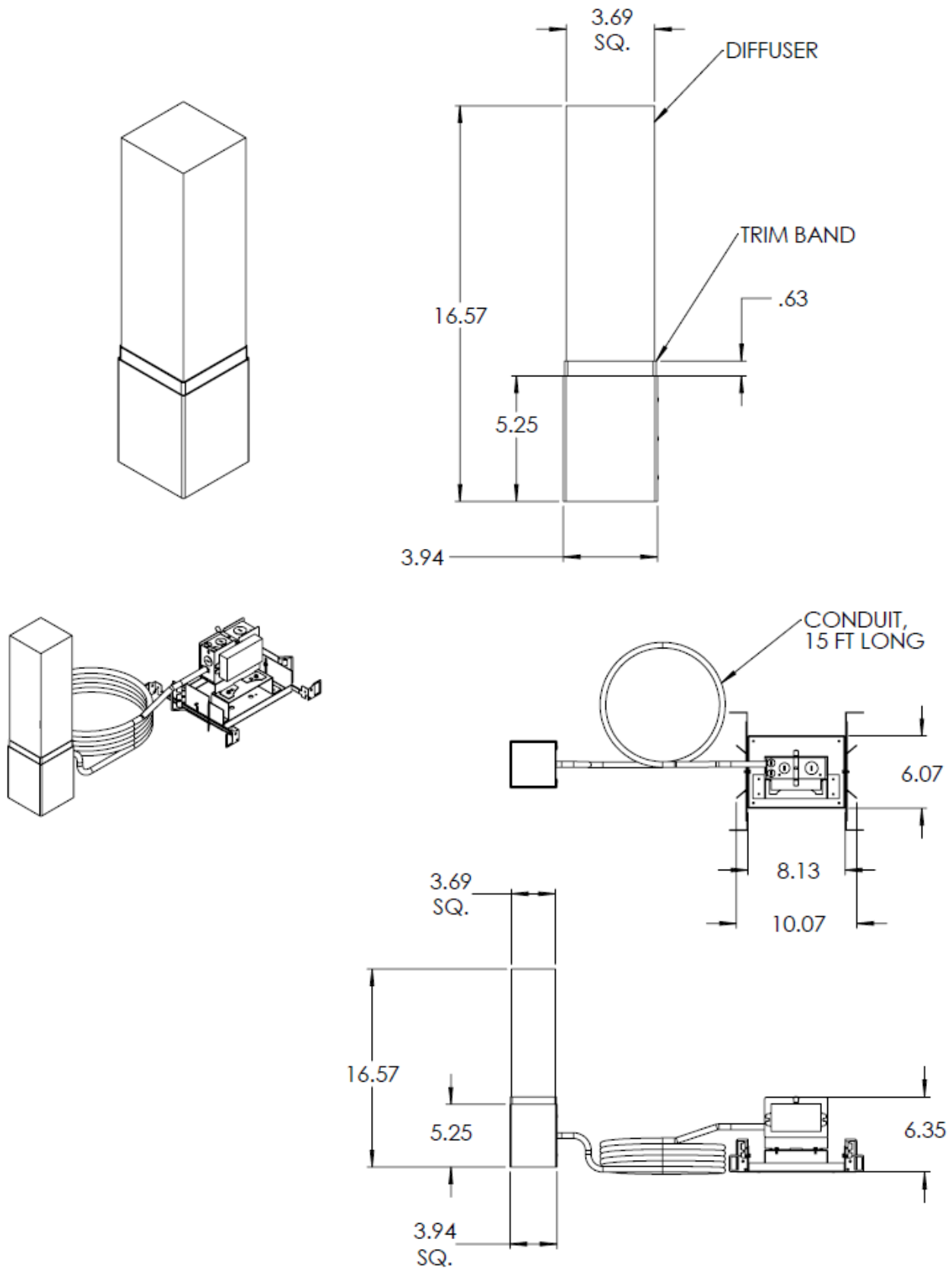
Zonal Lumen Summary					
Zone (°)	Lumens	Luminaire	Zone (°)	Lumens	Total
0-30	43.7	2.3%	90-100	232.4	12.0%
0-40	109.8	5.7%	100-110	213.1	11.0%
0-60	364.5	18.8%	110-120	181.2	9.3%
60-90	636.8	32.8%	120-130	141.0	7.3%
70-100	682.5	35.2%	130-140	97.4	5.0%
90-120	626.7	32.3%	140-150	53.9	2.8%
0-90	1,001.3	51.6%	150-160	16.8	0.9%
90-180	937.6	48.4%	160-170	1.7	0.1%
0-180	1,938.9	100.0%	170-180	0.2	0.0%

Vantage reserves the right to change components, finishes or design details in any manner which does not alter the installed appearance or reduce performance and intended function. vHealth® is a registered trademark of Lexington Lighting Group, LLC dba Vantage Lighting

# VW44SQ vHealth® Wall Sconce MRI

LED Architectural Luminaire 1000-2000 Lumens

## Dimensions



Vantage reserves the right to change components, finishes or design details in any manner which does not alter the installed appearance or reduce performance and intended function.  
vHealth® is a registered trademark of Lexington Lighting Group, LLC dba Vantage Lighting