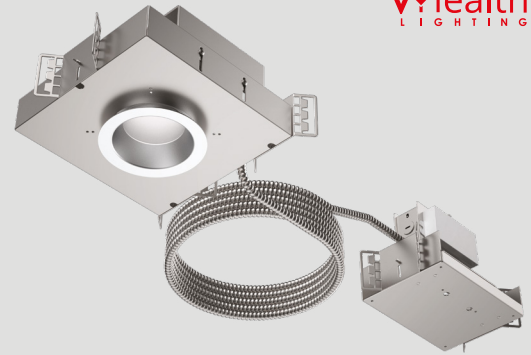


Part #	Prepared By
Project	Notes
Type	
Date	



4" Round, vHealth® MRI / Surgical*

Enclosed, LED Downlight, MRI, 750-7000 Lumens - Shallow Housing
*Surgical requires IP65 option



Description

vHealth® MRI luminaires are made with non-ferrous metals to ensure safe and reliable operation in medical imaging suites. Separate light module and fixture housings enable easy installation of the remote power supply. Shallow vHealth® MRI lights come standard with antimicrobial trim finishes to help mitigate infection risks throughout medical facilities. Optional EMI Filters available for turnkey solution. Made with regressed lenses, Lensed vHealth® MRI recessed downlights are easy to clean and provide high quality light.

Warranty & Notes

ELECTRICAL SYSTEM

- 750 - 7000 lumens
- 2700K - 5000K CCT
- 80 CRI with 3 SDCM color consistency (+90 CRI optional)
- Standard 0-10V 1% dimming driver, ZDM; optional drivers available
- 120V-277V Input Volts
- Minimum 50,000 hour lifetime at L70
- -20°C to 30°C Ambient Operating Temperature Range
- Optional 2-Port & 4-Port EMI filters

OPTICS

- Precision spun architectural-grade reflector with regressed lens
- Polycarbonate, Glass and Acrylic lens options
- Reflectors available in Alzak® and painted finishes; Antimicrobial standard
- Distribution is free of streaks, striations and hotspots
- 60° Medium distribution
- Easy to clean

FRAME & MOUNTING

- Non-Ferrous frame with integrated junction box featuring hinged access covers with spring retaining latches
- Remote mount driver frame with integrated junction box featuring hinged access covers with spring retaining latches
- Vertically adjustable rigid formed mounting brackets that accept a variety of mounting bars with auxillary nail holes and T-bar slots
- T-Bars included, suitable for joist spacing from 12" to 24"
- Supports straight conduit runs - (3) 3/4" knockouts
- Through branch wiring - (8) #12 AWG (4 in, 4 out), 90°C conductors
- Accessibility to all LED components from below ceiling
- Flush to the ceiling reflectors, secured by high quality friction clips

Listings

- ETL certified to UL 1598 and UL8750 requirements
- Tested according to LM-79 and LM-80 standards
- Energy Star® certified versions available (see Vantage Energy Star® guide for details)
- Suitable for damp locations; Wet location under covered ceiling
- Optional IP65 provides dust and water protection under ceiling plane in certain configurations
- Buy American Act (BAA)

Warranty & Notes

- 5-year limited warranty on LED module and driver, www.vantageltg.com/product-warranty
- Photometric tests performed by an accredited NVLP facility and in accordance to IESNA LM-79-2008 testing procedures
- Insulation cannot be in direct contact with luminaire

Ordering Information

EXAMPLE: V4EVHMRIU-1130K-MRI4011-SGC-AM-TDM

V4EVHMRI	-		-		-		-		-	
----------	---	--	---	--	---	--	---	--	---	--

Series	Voltage	Lumens	Kelvin (CCT)	Reflector/Lens*	Antimicrobial Finishes	Options**
V4EVHMRI	U - 120V-277V 1 - 120V 2 - 277V *Must provide voltage when optional drivers are selected.	07 - 750 11 - 1100 15 - 1500 20 - 2000 30 - 3000 40 - 4000 50 - 5000 60 - 6000 70 - 7000	27K - 2700K 30K - 3000K 35K - 3500K 40K - 4000K 50K - 5000K	MRI4011 MRI4011P MRI4011FR MRI4011FRP MRI4014 MRI4014P MRI4016 MRI4012D MRI4014D MRI4016D MRI4018D	SCL-AM Specular Clear Antimicrobial SGC-AM Soft Glow Clear Antimicrobial WHT-AM White Matte Antimicrobial *All trims supplied standard with white painted flange.	VEM12 VEM14 ZDM DTD TDM DL-2 IP65 DL-3 LDE1 LDE5 PEQ0 HCR PF EM-17 EM-20

*Lens Notes

- MRI4011 - Medium Beam Clear Glass Lensed Reflector
- MRI4011P - Medium Beam Clear Polycarbonate Lensed Reflector
- MRI4011FR - Medium Beam Frosted Glass Lensed Reflector
- MRI4011FRP - Medium Beam Frosted Polycarbonate Lensed Reflector
- MRI4014 - Medium Beam Prismatic Glass Lensed Reflector
- MRI4014P - Medium Beam Prismatic Acrylic Lensed Reflector
- MRI4016 - Medium Beam Fresnel Glass Lensed Reflector
- MRI4012D - BeamShaper® Lens, 20° Beam Angle Reflector
- MRI4014D - BeamShaper® Lens, 40° Beam Angle Reflector
- MRI4016D - BeamShaper® Lens, 60° Beam Angle Reflector
- MRI4018D - BeamShaper® Lens, 80° Beam Angle Reflector

*Options Notes

- VEM12 - 2-Port EMI Filter
- VEM14 - 4-Port EMI Filter
- DTD - 0-10V 0.1% dimming driver. Not available above 4000 lumens.
- TDM - Triac (Forward Phase, 120V only) dimming driver. Not available above 5000 lumens.
- DL-2 - Lutron 2-Wire Hi-lume dimming driver. Not available above 3000 lumens.
- DL-3 - Lutron 3 wire Hi-lume dimming driver. Not available above 3000 lumens.
- LDE1 - Lutron Hi-lume 1% with Soft-On, Fade-to-Black dimming driver. Not available above 4000 lumens.
- LDE5 - Lutron 5-Series 5% dimming driver. Not available above 4000 lumens.
- PEQ0 - Lutron Hi-lume Premier 0.1% with Soft-On, Fade-to-Black dimming driver. Not available above 4000 lumens.
- HCR - High CRI, 90+ minimum. Not available in 5000 Kelvin.
- PF - Polished Flange
- EM-17 - Emergency battery back-up. Remote test button & indicator light. For 750-5000 lumen luminaires.
- EM-20 - Emergency batter back-up. Remote test button & indicator light. For 6000 & 7000 lumen luminaires.
- IP65 - Requires lens EXCLUDING MRI4014 and MRI4014P

Nominal Lumens	Delivered Luemms	Wattage	Lumens Per Watt
750	465	8.8	52.84
1100	682	15.4	44.29
1500	929	21.6	43.01
2000	1239	27.2	45.55
3000	1859	33.2	55.99
4000	2478	45.6	54.34
5000	3098	58.5	52.96
6000	3718	60.1	61.86
7000	4337	85.3	50.84

All measured at 3500K with a standard medium distribution
*Actual Wattage/Lumens may vary.

Vantage reserves the right to change components, finishes or design details in any manner which does not alter the installed appearance or reduce performance and intended function.

vHealth® is a registered trademark of Lexington Lighting Group, LLC dba Vantage Lighting

4" Round, vHealth® MRI

Enclosed, LED Downlight, MRI, 750-7000 Lumens - Shallow Housing

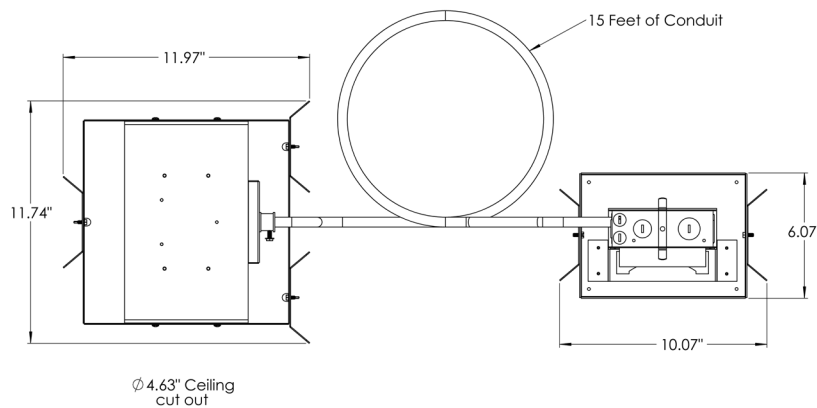
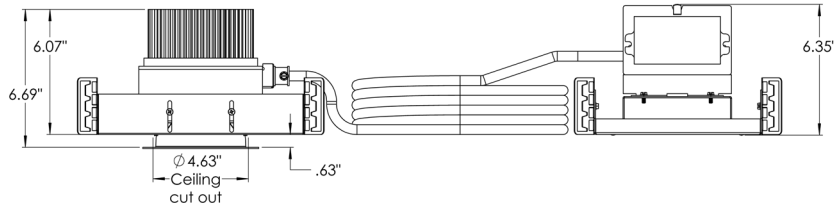
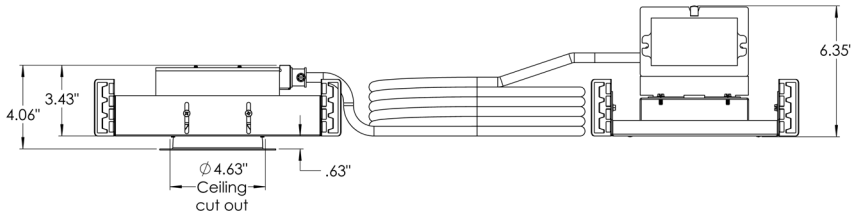
Dimensional Data

Above Ceiling Height with 5/8" Ceiling
 • 3.43" s 3000L
 • 3.63" 4000L & 5000L

Above Ceiling Height
 • Max Ceiling Thickness 1.24" - 2.82"
 • Min Ceiling Thickness 0.20" - 3.85"

Above Ceiling Height with 5/8" Ceiling
 • 6.07" 6000L & 7000L

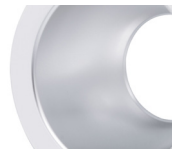
Above Ceiling Height
 • Max Ceiling Thickness 1.24" - 5.45"
 • Min Ceiling Thickness 0.20" - 6.49"



Antimicrobial Reflector Finishes



WHT-AM
White Matte



SGC-AM
Soft Glow Clear



SCL-AM
Specular Clear

PLEASE NOTE – IP65 option requires four equally spaced fasteners through the reflector flange, visible from below the ceiling plane.

Photometry

Model
V4EVHMRI-2035K-MRI4011-SCL-AM

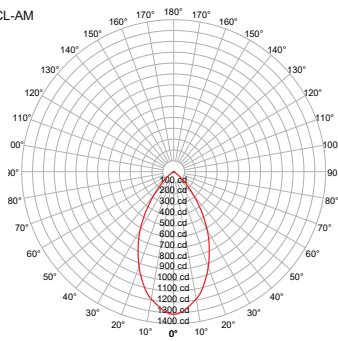
Lumens
1,239

Watts
27.2

Efficacy
45.55

SC
0.84

Candela Curve



Cone of Light

Mounting Height AFF	FC at Center on Floor	Beam Diameter
8.0'	21 fc	8.8'
10.0'	13 fc	11.0'
12.0'	9 fc	13.2'
14.0'	7 fc	15.4'
16.0'	5 fc	17.6'
20.0'	3 fc	21.9'
24.0'	2 fc	26.3'
30.0'	1 fc	32.9'

Candela Table

0.00°	0.00°
1,314	1,314
1,271	1,271
1,076	1,076
0	0
0	0

Zonal Lumen Summary

Zone	Lumens	% Luminaire
0° - 30°	774	62%
0° - 40°	1,054	85%
0° - 60°	1,222	99%
60° - 90°	40	3%
0° - 20°	420	34%
20° - 50°	793	64%
50° - 70°	87	7%
70° - 90°	2	0%
0° - 90°	1,239	100%
90° - 180°	0	0%
Total	1,239	100%

Spacing Criterion

Height	Spacing	Light Level*
8 ft	6.7 ft	~ 21 fc
10 ft	8.4 ft	~ 13 fc
12 ft	10.1 ft	~ 9 fc
8 ft	5.0 ft	~ 37 fc
10 ft	6.3 ft	~ 23 fc
12 ft	7.6 ft	~ 16 fc
8 ft	3.4 ft	~ 82 fc
10 ft	4.2 ft	~ 53 fc
12 ft	5.0 ft	~ 37 fc

* approximate direct light level at floor based on spacing criterion overlap

Multiplier

CRI	Multiplier	Kelvin	Multiplier	Reflector Finish	Multiplier
80	1	2700K	0.939	SCL	1
90	0.8	3000K	0.975	SGC	0.95
		3500K	1	WHT	0.87
		4000K	10.35		
		5000K	1.098		

Vantage reserves the right to change components, finishes or design details in any manner which does not alter the installed appearance or reduce performance and intended function.

vHealth® is a registered trademark of Lexington Lighting Group, LLC dba Vantage Lighting



VEMI2 - 2-Port EMI Filter

VEMI4 - 4-Port EMI Filter

APPLICATIONS

- MRI Rooms

MATERIALS

- Steel Enclosure
- Steel Threaded Pipe
- Easy Connect Terminal Blocks

ELECTRICAL

- Class II output 100W
- 3A / up to 40VDC

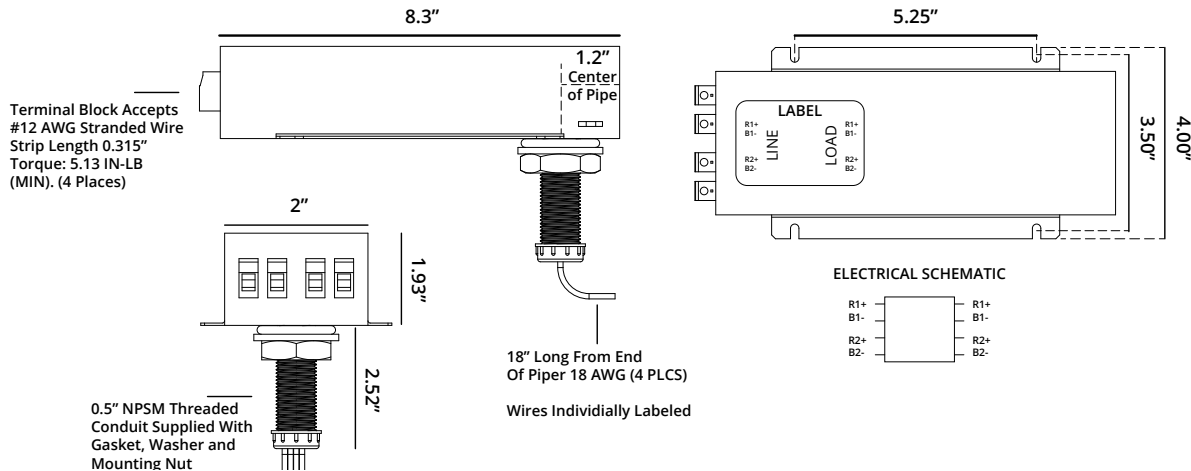
SPECIFICATIONS

- Filter provides >100dB attenuation between 10Khz - 1Ghz on 0-10V dimming circuits
- Operating temperature rating: -10°C to + 60°C

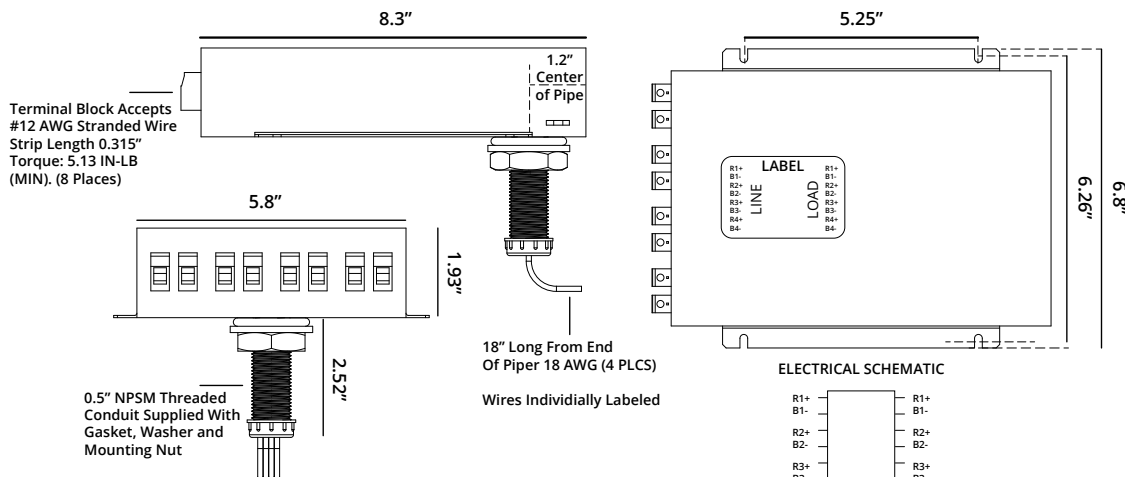
MECHANICAL (DIMENSIONS - INCHES)

PART NUMBER	DESCRIPTION	LENGTH	WIDTH	DEPTH
VEMI2	2-Port EMI Filter	8.70"	3.98"	1.93"
VEMI4	4-Port EMI Filter	8.70"	6.73"	1.93"

VEMI2 - 2-Port EMI Filter



VEMI4 - 4-Port EMI Filter



Vantage reserves the right to change components, finishes or design details in any manner which does not alter the installed appearance or reduce performance and intended function.

vHealth® is a registered trademark of Lexington Lighting Group, LLC dba Vantage Lighting