

Part #	Prepared By
Project	Notes
Type	
Date	



4" Round, vHealth®

Open, LED Downlight, 750-7000 Lumens - Shallow Housing



Description

vHealth® luminaires are designed to meet the specific needs of modern healthcare facilities. Standard features include shallow, high output housings for tight healthcare plenums and antimicrobial trim finishes to help mitigate infections. Optional BioSync® tunable white color can be integrated to promote circadian entrainment. Made with regressed lenses, Enclosed shallow vHealth® recessed downlights are easy to clean and provide high quality light. Optional Air Tight is available for fully sealed lens and reflector.

Warranty & Notes

ELECTRICAL SYSTEM

- 750 - 7000 lumens
- 2700K - 5000K CCT
- Optional BioSync® Tunable White, 2700K - 6500K CCT
- Optional BioSync® Warm Tunable White, 1800K - 4000K CCT
- 80 CRI with 3 SDCM color consistency (+90 CRI optional)
- Standard 0-10V 1% dimming driver, ZDM; optional drivers available
- 120V-277V Input Volts
- Minimum 50,000 hour lifetime at L70
- -20°C to 30°C Ambient Operating Temperature Range

OPTICS

- Precision spun architectural-grade reflector
- Reflectors available in Alzak® and painted finishes; Antimicrobial standard
- Distribution is free of streaks, striations and hotspots
- 60° Medium distribution
- 45° Cutoff

FRAME & MOUNTING

- Galvanized steel frame with integrated junction box featuring hinged access covers with spring retaining latches
- Vertically adjustable rigid formed mounting brackets that accept a variety of mounting bars with auxiliary nail holes and T-bar slots
- T-Bars included, suitable for joist spacing from 12" to 24"
- Supports straight conduit runs - (3) 3/4" knockouts
- Through branch wiring - (8) #12 AWG (4 in, 4 out), 90°C conductors
- Accessibility to all LED components from below ceiling
- Flush to the ceiling reflectors, secured by high quality friction clips

Listings

- ETL certified to UL 1598 and UL8750 requirements
- Tested according to LM-79 and LM-80 standards
- Energy Star® certified versions available (see Vantage Energy Star® guide for details)
- Suitable for damp locations; Wet location under covered ceiling
- Buy American Act

Warranty & Notes

- 5-year limited warranty on LED module and driver
- www.vantageltg.com/product-warranty
- Photometric tests performed by an accredited NVLP facility and in accordance to IESNA LM-79-2008 testing procedures
- Insulation cannot be in contact with luminaire

Ordering Information

EXAMPLE: V40VHU-1130K-L4060-SGC-AM-TDM

Series	Voltage	Lumens	Kelvin (CCT)	Reflector	Antimicrobial Finishes	Options**
V40VH	U - 120V-277V 1 - 120V 2 - 277V *Must provide voltage when optional drivers are selected.	07 - 750 11 - 1100 15 - 1500 20 - 2000 30 - 3000 40 - 4000 50 - 5000 60 - 6000 70 - 7000	27K - 2700K 30K - 3000K 35K - 3500K 40K - 4000K 50K - 5000K BSC - BioSync® Tunable White (2700K-6500K)* BSW - BioSync® Warm Tunable White (1800K-4000K)* *Available up to 2000 lumens	L4060 Medium 60° Open Reflector L4019 Non-Conductive Shower Trim	SCL-AM Specular Clear Antimicrobial SGC-AM Soft Glow Clear Antimicrobial WHT-AM White Matte Antimicrobial *All trims supplied standard with white painted flange.	ZDM DTD TDM DL-2 LDE1 PEQ0 LDE5 HCR PF EM-17 EMI-17 EM-20 EMI-20

**Options Notes

- ZDM - 0-10V 1% dimming driver (standard)
- DTD - 0-10V 0.1% dimming driver. Not available above 4000 lumens.
- TDM - Triac (Forward Phase, 120V only) dimming driver. Not available above 5000 lumens.
- DL-2 - Lutron 2-Wire Hi-lume dimming driver. Not available above 3000 lumens.
- LDE1 - Lutron Hi-lume 1% with Soft-On, Fade-to-Black dimming driver. Not available above 4000 lumens.
- PEQ0 - Lutron Hi-lume Premier 0.1% with Soft-On, Fade-to-Black dimming driver. Not available above 4000 lumens.
- LDE5 - Lutron 5-Series 5% dimming driver. Not available above 4000 lumens.
- HCR - High CRI, 90+ minimum. Not available in 5000 Kelvin.
- PF - Polished Flange
- EM-17 - Emergency battery back-up. Remote test button & indicator light. For 750-5000 lumen luminaires.
- EMI-17 - Emergency battery back-up. Integral test button & indicator light. For 750-5000 lumen luminaires.
- EM-20 - Emergency batter back-up. Remote test button & indicator light. For 6000 & 7000 lumen luminaires.
- EMI-20 - Emergency battery back-up. Integral test button & indicator light. For 6000 & 7000 lumen luminaires.

Nominal Lumens	Wattage
750	9.4
1100	15.4
1500	21.6
2000	27.2
3000	33.2
4000	45.6
5000	58.5
6000	60.1
7000	85.3

All measured at 3500K with a standard medium distribution
*Actual Wattage/Lumens may vary.

Vantage reserves the right to change components, finishes or design details in any manner which does not alter the installed appearance or reduce performance and intended function.

vHealth® is a registered trademark of Lexington Lighting Group, LLC dba Vantage Lighting

4" Round, vHealth®

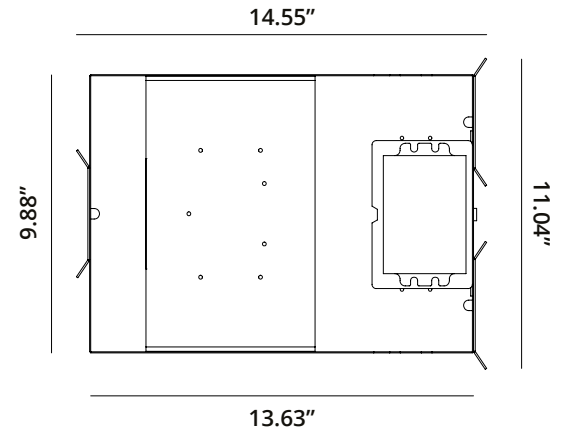
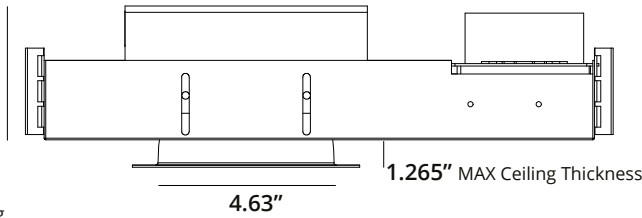
Open, LED Downlight, 750-7000 Lumens - Shallow Housing

Dimensional Data

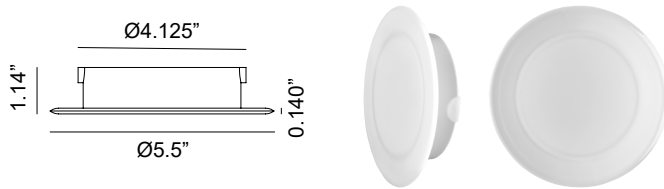
Ceiling Cut Out 4.63"

Overall Height with 5/8" Ceiling
3.31" 3000L
3.61" 4000L & 5000L

Overall Height
 Min. 3.14" with 1.25" Ceiling
 Max. 3.75" With 0.25" Ceiling
 Add 0.30" for 4000 & 5000L



L4019 - NON CONDUCTIVE SHOWER TRIM



Antimicrobial Reflector Finishes



WHT-AM White Matte
SGC-AM Soft Glow Clear
SCL-AM Specular Clear

Photometry

Model
 V4OVHU-2035K-L4060-SCL

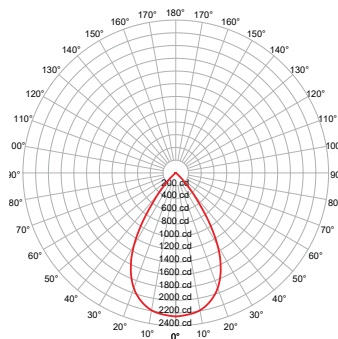
Lumens
 2,253

Watts
 25.3

Efficacy
 89.05

SC
 0.99

Candela Curve



Cone of Light

Mounting Height AFF	FC at Center on Floor	Beam Diameter
8.0'	35 fc	10.0'
10.0'	23 fc	12.5'
12.0'	16 fc	15.0'
14.0'	12 fc	17.5'
16.0'	9 fc	20.0'
20.0'	6 fc	24.9'
24.0'	4 fc	29.9'
30.0'	3 fc	37.4'

Candela Table

0.00°	0.00°	5.00°	15.00°	90.00°
0.00°	2,254	2,233	2,088	0

Zonal Lumen Summary

Zone	Lumens	% Luminaire
0° - 30°	1,566	69%
0° - 40°	2,084	93%
0° - 60°	2,238	99%
60° - 90°	22	1%
0° - 20°	800	36%
20° - 50°	1,477	66%
50° - 70°	45	2%
70° - 90°	9	0%
0° - 90°	2,253	100%
90° - 180°	0	0%
Total	2,253	100%

Spacing Criterion

Height	Spacing	Light Level*
8 ft	7.9 ft	~ 35 fc
10 ft	9.9 ft	~ 23 fc
12 ft	11.9 ft	~ 16 fc
8 ft	5.9 ft	~ 63 fc
10 ft	7.4 ft	~ 40 fc
12 ft	8.9 ft	~ 28 fc
8 ft	4.0 ft	~ 141 fc
10 ft	5.0 ft	~ 90 fc
12 ft	5.9 ft	~ 63 fc

* approximate direct light level at floor based on spacing criterion overlap

Multiplier

CRI	Multiplier	Kelvin	Multiplier	Reflector Finish	Multiplier
80	1	2700K	0.939	SCL	1
90	0.8	3000K	0.975	SGC	0.95
		3500K	1	WHT	0.87
		4000K	10.35		
		5000K	1.098		

Vantage reserves the right to change components, finishes or design details in any manner which does not alter the installed appearance or reduce performance and intended function.

vHealth® is a registered trademark of Lexington Lighting Group, LLC dba Vantage Lighting