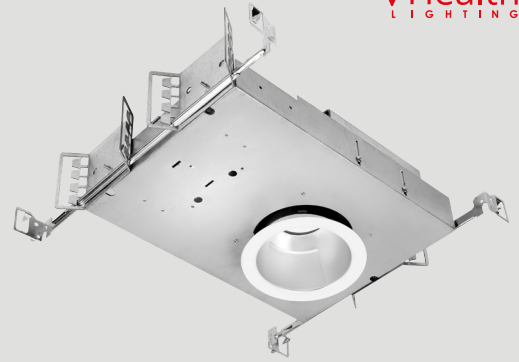


Part #	Prepared By
Project	Notes
Type	
Date	



4" Round, vHealth®

Open, LED Wall Wash, 750-7000 Lumens - Shallow Housing



Description

vHealth® luminaires are designed to meet the specific needs of modern healthcare facilities. Standard features include shallow, high output housings for tight healthcare plenums and antimicrobial trim finishes to help mitigate infections. Optional BioSync® tunable white color can be integrated to promote circadian entrainment. The shallow vHealth® Open Wall Wash provides excellent accent lighting while maintaining sharp cutoff to reduce glare and eye shock potential for patients and healthcare workers.

Warranty & Notes

ELECTRICAL SYSTEM

- 750 - 7000 lumens
- 2700K - 5000K CCT (BioSync® Tunable White available)
- 80 CRI with 3 SDCM color consistency (+90 CRI optional)
- Optional BioSync® Tunable White, 2700K - 6500K CCT
- Optional BioSync® Warm Tunable White, 1800K - 4000K CCT
- Standard 0-10V 1% dimming driver; optional drivers available
- 120V - 277V input volts
- Minimum 50,000 hour lifetime at L70
- -20°C to 30°C Ambient Operating Temperature Range

OPTICS

- Precision spun architectural-grade reflector
- Reflectors available in Alzak® and painted finishes; Antimicrobial standard
- Distribution is free of streaks, striations and hotspots
- Medium distribution
- 45° Cutoff

FRAME & MOUNTING

- Galvanized steel frame with integrated junction box featuring hinged access covers with spring retaining latches
- Vertically adjustable rigid formed mounting brackets that accept a variety of mounting bars with auxiliary nail holes and T-bar slots
- T-Bars included, suitable for joist spacing from 12" to 24"
- Supports straight conduit runs - (3) 3/4" knockouts
- Through branch wiring - (8) #12 AWG (4 in, 4 out), 90°C conductors
- Accessibility to all LED components from below ceiling
- Flush to the ceiling reflectors, secured by high quality friction clips

Listings

- ETL certified to UL 1598 and UL8750 requirements
- Tested according to LM-79 and LM-80 standards
- Energy Star® certified versions available (see Vantage Energy Star® guide for details)
- Suitable for damp locations; Wet location under covered ceiling
- Buy American Act

Warranty & Notes

- 5-year limited warranty on LED module and driver
- www.vantageltg.com/product-warranty
- Photometric tests performed by an accredited NVLP facility and in accordance to IESNA LM-79-2008 testing procedures

Ordering Information

EXAMPLE: V4OVHWWU-1130K-L4160-SGC-AM-TDM

V4OVHWW						
Series	Voltage	Lumens	Kelvin (CCT)	Reflector	Antimicrobial Finishes	Options**
V4OVHWW	U - 120V-277V 1 - 120V 2 - 277V *Must provide voltage when optional drivers are selected.	07 - 750 11 - 1100 15 - 1500 20 - 2000 30 - 3000 40 - 4000 50 - 5000 60 - 6000 70 - 7000	27K - 2700K 30K - 3000K 35K - 3500K 40K - 4000K 50K - 5000K BSC - BioSync® Tunable White (2700K-6500K)* BSW - BioSync® Warm Tunable White (1800K-4000K)* *Available up to 2000 lumens	L4160 Wall Wash Open Reflector	SCL-AM Specular Clear Antimicrobial SGC-AM Soft Glow Clear Antimicrobial WHT-AM White Matte Antimicrobial *All trims supplied standard with white painted flange.	DTD TDM DL-2 LDE1 PEQ0 LDE5 HCR PF EM-17 EM-20

**Options Notes

- DTD - 0-10V 0.1% dimming driver. Not available above 4000 lumens.
- TDM - Triac (Forward Phase, 120V only) dimming driver. Not available above 5000 lumens.
- DL-2 - Lutron 2-Wire Hi-lume dimming driver. Not available above 3000 lumens.
- LDE1 - Lutron Hi-lume 1% with Soft-On, Fade-to-Black dimming driver. Not available above 4000 lumens.
- PEQ0 - Lutron Hi-lume Premier 0.1% with Soft-On, Fade-to-Black dimming driver. Not available above 4000 lumens.
- LDE5 - Lutron 5-Series 5% dimming driver. Not available above 4000 lumens.
- HCR - High CRI, 90+ minimum. Not available in 5000 Kelvin.
- PF - Polished Flange
- EM-17 - Emergency battery back-up. Remote test button & indicator light. For 750-5000 lumen luminaires.
- EM-17 - Emergency battery back-up. Integral test button & indicator light. For 750-5000 lumen luminaires.
- EM-20 - Emergency batter back-up. Remote test button & indicator light. For 6000 & 7000 lumen luminaires.

Nominal Lumens	Wattage
750	9.4
1100	15.4
1500	21.6
2000	27.2
3000	33.2
4000	45.6
5000	58.5
6000	60.1
7000	85.3

All measured at 3500K with a standard medium distribution
*Actual Wattage/Lumens may vary.

Vantage reserves the right to change components, finishes or design details in any manner which does not alter the installed appearance or reduce performance and intended function.

vHealth® is a registered trademark of Lexington Lighting Group, LLC dba Vantage Lighting

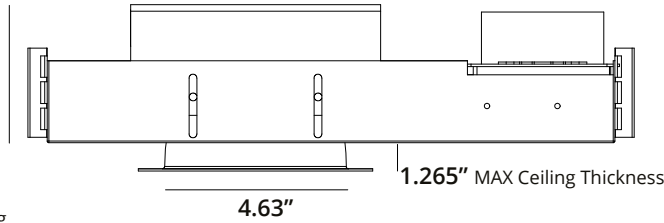
4" Round, vHealth®

Open, LED Wall Wash, 750-7000 Lumens - Shallow Housing

Dimensional Data

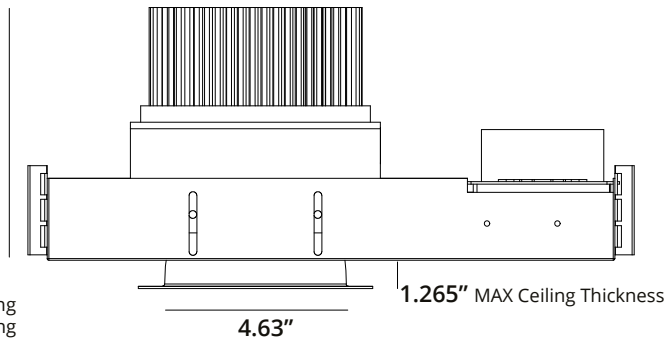
Ceiling Cut Out 4.63"

Overall Height with 5/8" Ceiling
3.31" 3000L
3.61" 4000L & 5000L

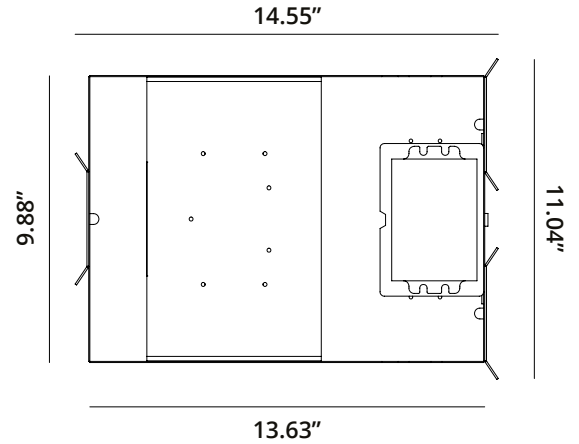


Overall Height
 Min. 3.14" with 1.25" Ceiling
 Max. 3.75" With 0.25" Ceiling
 Add 0.30" for 4000 & 5000L

Overall Height with 5/8" Ceiling
6.07" 6000L & 7000L



Overall Height
 Min. 5.50" with 1.25" Ceiling
 Max. 6.50" With 0.25" Ceiling



Antimicrobial Reflector Finishes



WHT-AM
White Matte

SGC-AM
Soft Glow Clear

SCL-AM
Specular Clear

Photometry

Model
V4OVHWWU-2035-L4160-SCL

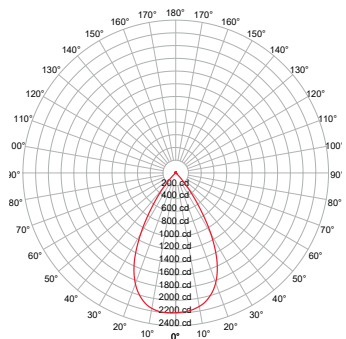
Lumens
2,058

Watts
27.2

Efficacy
75.66

SC
0.94

Candela Curve



Cone of Light

Mounting Height AFF	FC at Center on Floor	Beam Diameter
8.0'	34 fc	9.1'
10.0'	22 fc	11.4'
12.0'	15 fc	13.6'
14.0'	11 fc	15.9'
16.0'	9 fc	18.2'
20.0'	5 fc	22.7'
24.0'	4 fc	27.3'
30.0'	2 fc	34.1'

Candela Table

	0.00°
0.00°	2,198
5.00°	2,180
10.00°	2,128
15.00°	2,023
20.00°	1,836
30.00°	1,104
40.00°	259
50.00°	20
60.00°	12
70.00°	8
80.00°	6
90.00°	6

Zonal Lumen Summary

Zone	Lumens	% Luminaire	Height	Spacing	Light Level*
0° - 30°	1,452	71%	8 ft	7.5 ft	~ 34 fc
0° - 40°	1,854	90%	10 ft	9.4 ft	~ 22 fc
0° - 60°	1,984	96%	12 ft	11.3 ft	~ 15 fc
60° - 90°	30	1%	8 ft	5.6 ft	~ 61 fc
0° - 20°	780	38%	10 ft	7.0 ft	~ 39 fc
20° - 50°	1,179	57%	12 ft	8.5 ft	~ 27 fc
50° - 70°	39	2%	8 ft	3.8 ft	~ 137 fc
70° - 90°	16	1%	10 ft	4.7 ft	~ 88 fc
0° - 90°	2,014	98%	12 ft	5.6 ft	~ 61 fc
90° - 180°	44	2%			
Total	2,058	100%			

* approximate direct light level at floor based on spacing criterion overlap

Multiplier

CRI	Multiplier	Kelvin	Multiplier	Reflector Finish	Multiplier
80	1	2700K	0.939	SCL	1
90	0.8	3000K	0.975	SGC	0.95
		3500K	1	WHT	0.87
		4000K	10.35		
		5000K	1.098		

Vantage reserves the right to change components, finishes or design details in any manner which does not alter the installed appearance or reduce performance and intended function.

vHealth® is a registered trademark of Lexington Lighting Group, LLC dba Vantage Lighting